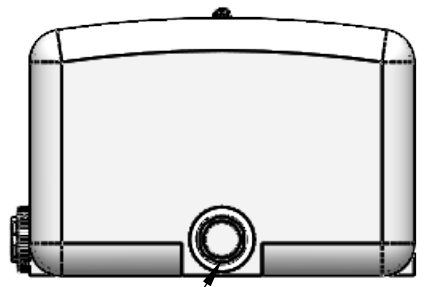
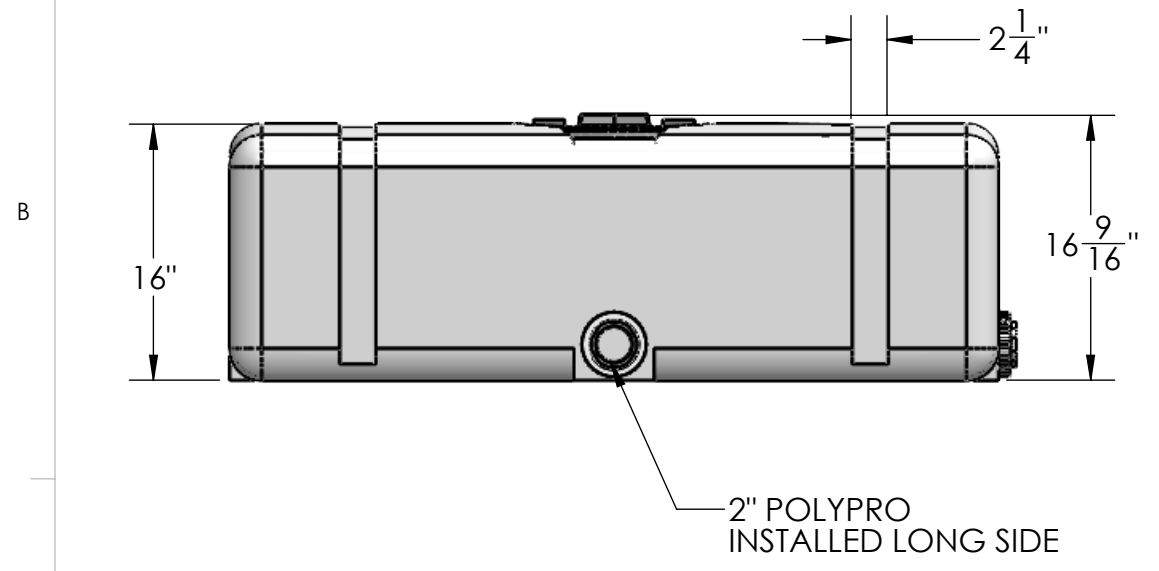
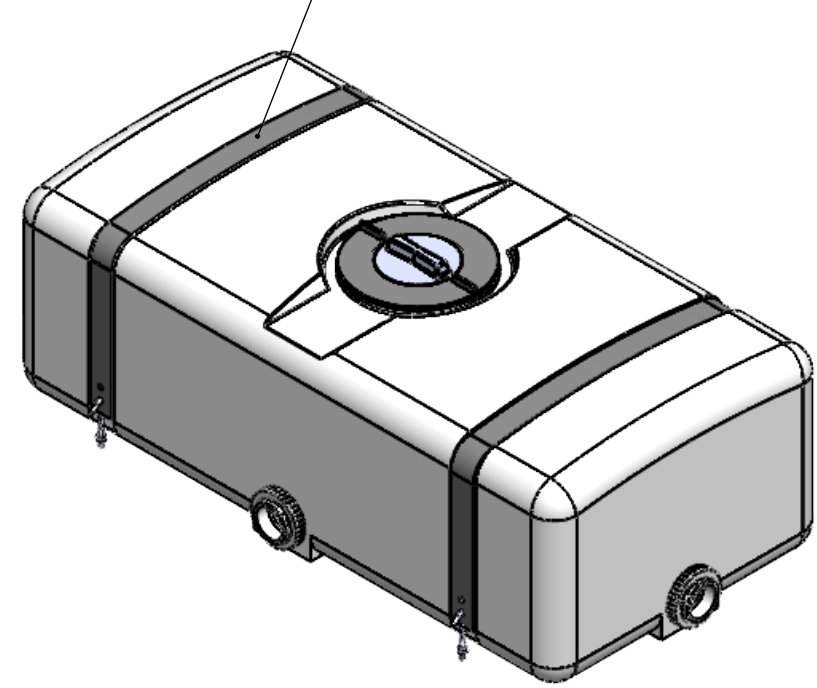
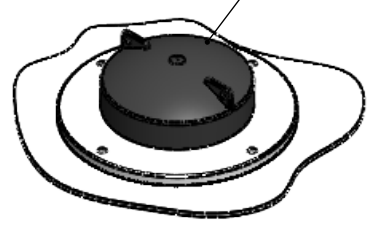
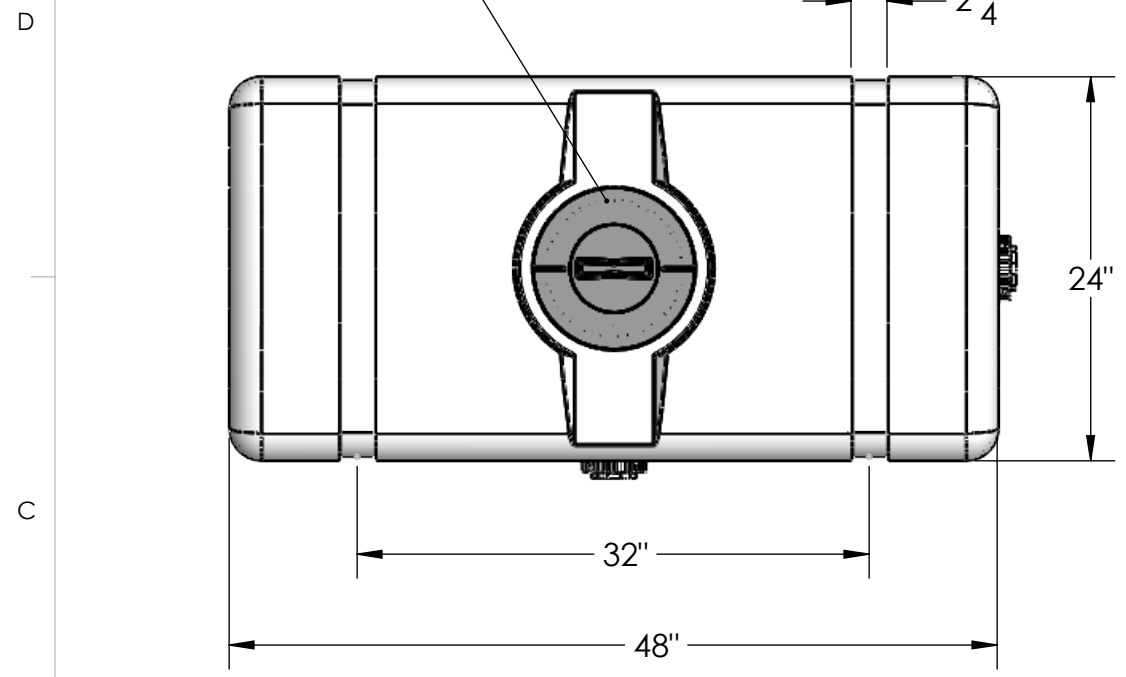


8" THREADED LID
W/BREATHER

5" THREADED CAP
OPTION

SHOWN WITH OPTIONAL
TIE DOWN BANDS
P/N 70 LPRTBS



NOTES:

1. MATERIAL: HDPE
2. WEIGHT: 36 LBS.
3. CAPACITY: 70 GALLONS.
4. SPECIFY SHORT OR LONG SIDE FOR FITTING PLACEMENT.

PROPRIETARY AND CONFIDENTIAL
THE INFORMATION CONTAINED IN THIS DRAWING IS THE SOLE PROPERTY OF <INSERT COMPANY NAME HERE>. ANY REPRODUCTION IN PART OR AS A WHOLE WITHOUT THE WRITTEN PERMISSION OF <INSERT COMPANY NAME HERE> IS PROHIBITED.

		UNLESS OTHERWISE SPECIFIED:		NAME	DATE		
		DIMENSIONS ARE IN INCHES		DRAWN	EBW		1-29-14
		TOLERANCES:		CHECKED			
		FRACTIONAL ±		ENG APPR.			
		ANGULAR: MACH ± BEND ±		MFG APPR.			
		TWO PLACE DECIMAL ±		Q.A.			
		THREE PLACE DECIMAL ±		COMMENTS:			
		INTERPRET GEOMETRIC TOLERANCING PER:		TITLE: 70 GALLON LOW PROFILE RECTANGULAR TANK			
		MATERIAL					
		FINISH					
NEXT ASSY	USED ON	APPLICATION		SCALE: 1:8		SIZE DWG. NO. B 70 LPRT	
		DO NOT SCALE DRAWING		WEIGHT:		REV SHEET 1 OF 1	

8 7 6 5 4 3 2 1

D

D

C

C

B

B

A

A

8 7 6 5 4 3 2 1