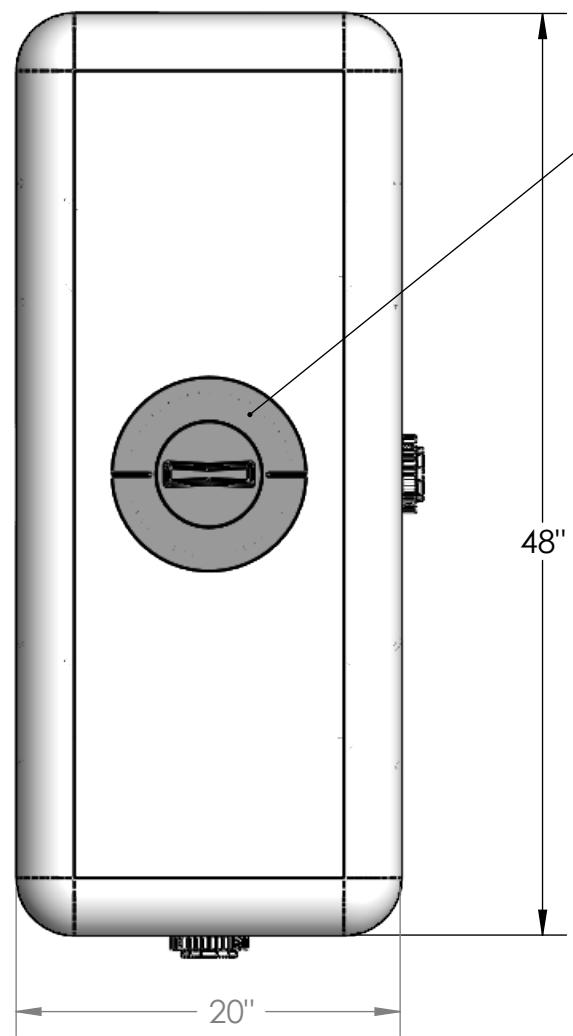
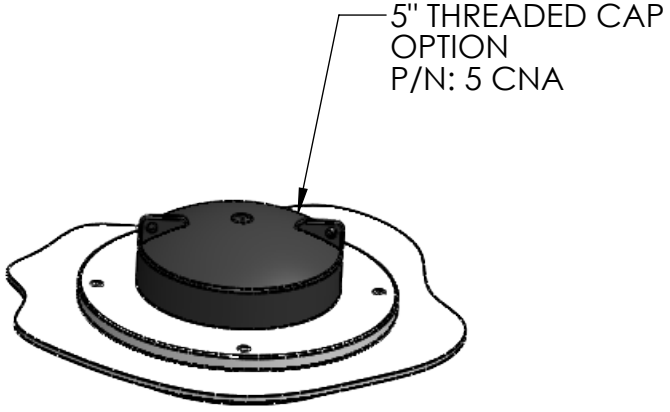


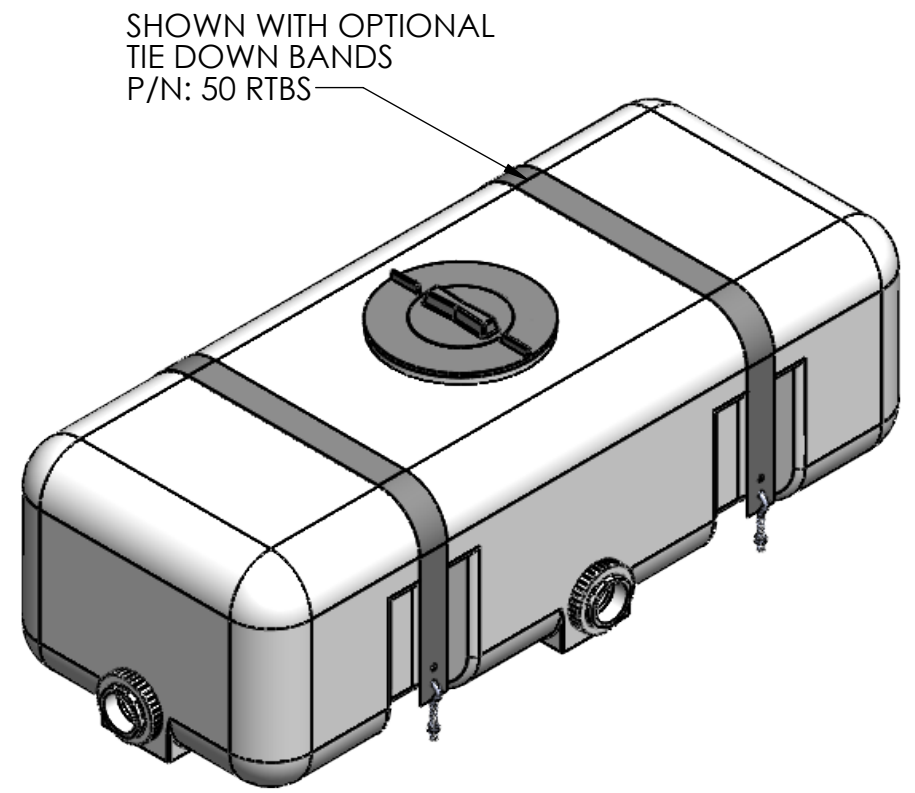
8 7 6 5 4 3 2 1



8" THREADED LID
W/BREATHER
STANDARD



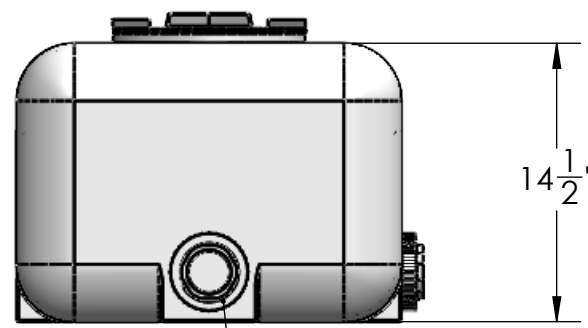
5" THREADED CAP
OPTION
P/N: 5 CNA



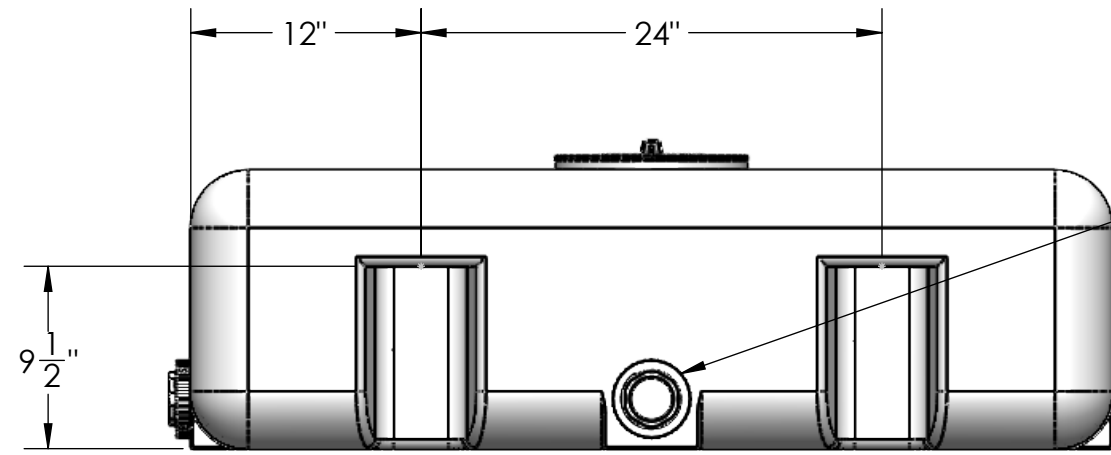
SHOWN WITH OPTIONAL
TIE DOWN BANDS
P/N: 50 RTBS

NOTES:

1. MATERIAL: HDPE
2. CAPACITY: 50 GALLONS
3. WEIGHT: 25 LBS
4. SPECIFY SHORT OR LONG SIDE FOR FITTING PLACEMENT.



2" POLYPRO
INSTALLED SHORT SIDE



2" POLYPRO
INSTALLED ON LONG SIDE

PROPRIETARY AND CONFIDENTIAL
THE INFORMATION CONTAINED IN THIS DRAWING IS THE SOLE PROPERTY OF <INSERT COMPANY NAME HERE>. ANY REPRODUCTION IN PART OR AS A WHOLE WITHOUT THE WRITTEN PERMISSION OF <INSERT COMPANY NAME HERE> IS PROHIBITED.

		UNLESS OTHERWISE SPECIFIED:		NAME	DATE	CUSTOM ROTO-MOLDING, INC.	
		DIMENSIONS ARE IN INCHES		DRAWN	EBW		12-16-09
		TOLERANCES:		CHECKED			TITLE:
		FRACTIONAL ±		ENG APPR.			50 GALLON
		ANGULAR: MACH ± BEND ±		MFG APPR.			RECTANGULAR TANK
		TWO PLACE DECIMAL ±		Q.A.		SIZE	
		THREE PLACE DECIMAL ±		COMMENTS:		DWG. NO.	
		INTERPRET GEOMETRIC TOLERANCING PER:				REV	
		MATERIAL				B	
		FINISH				50 RT	
NEXT ASSY	USED ON	APPLICATION		DO NOT SCALE DRAWING		SCALE: 1:20	
						WEIGHT:	
						SHEET 1 OF 1	

8 7 6 5 4 3 2 1