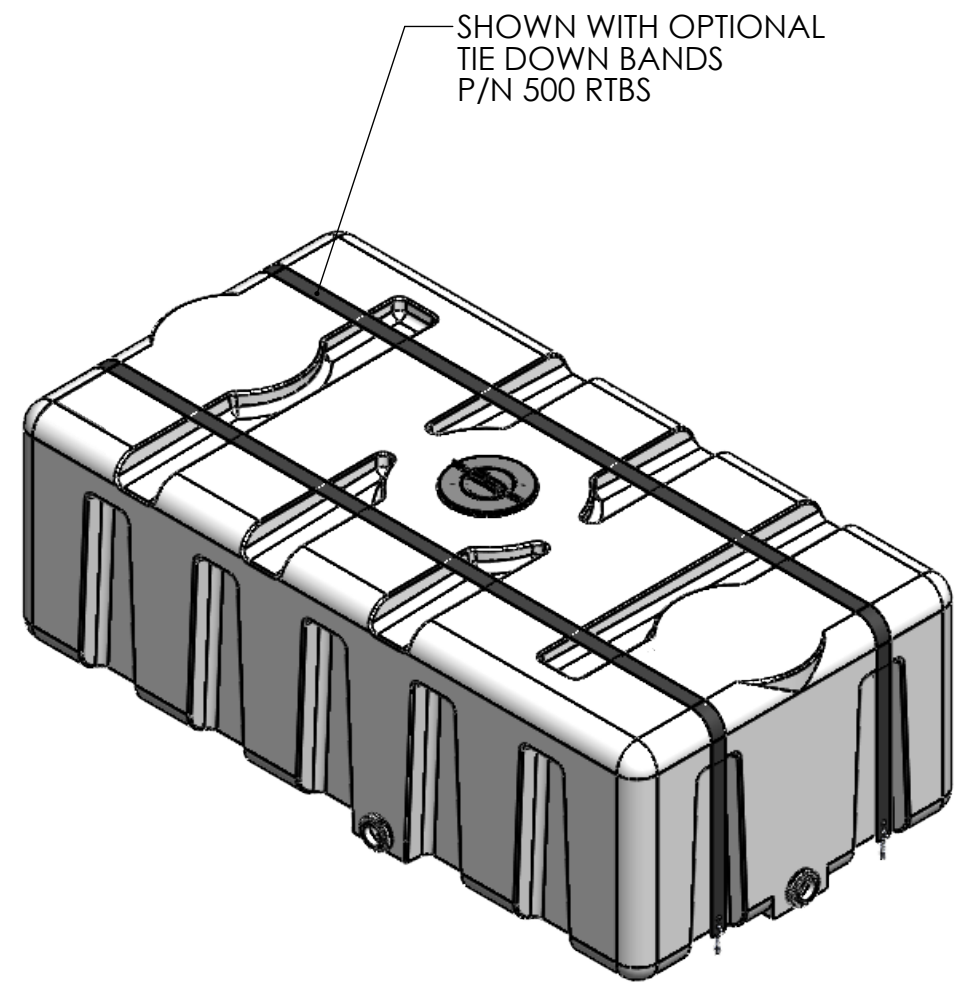
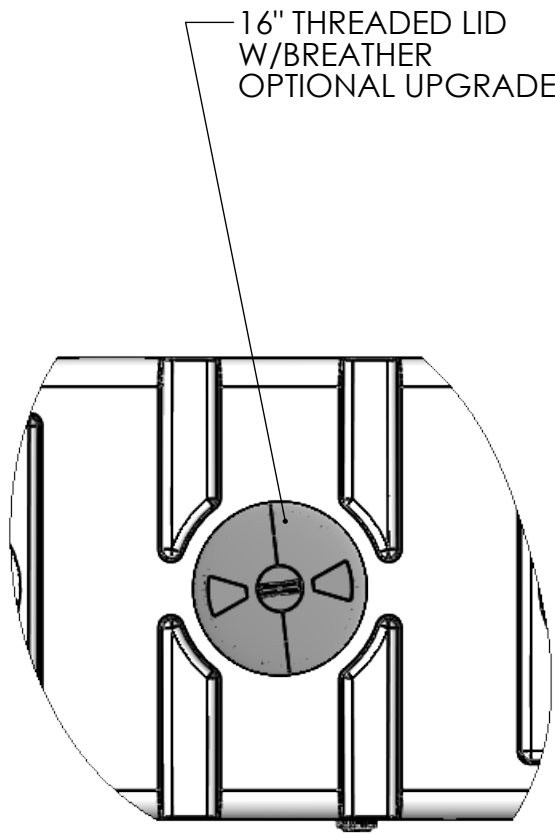
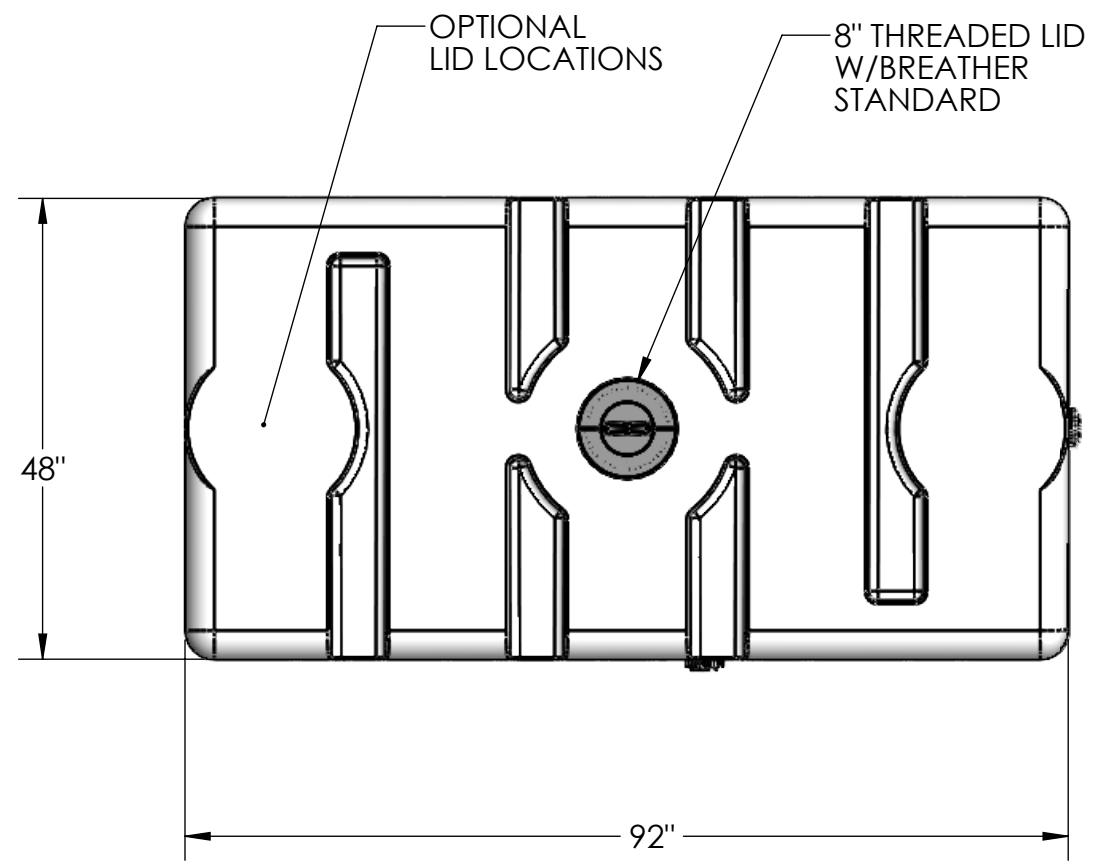


D

D

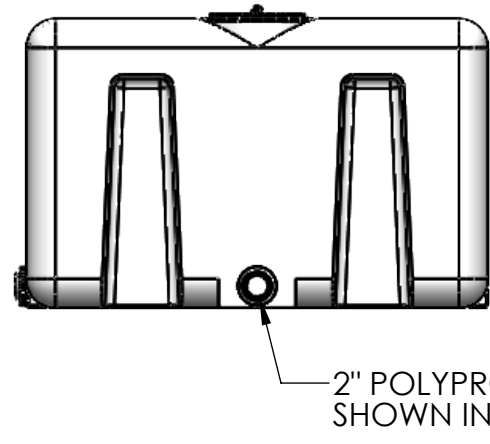
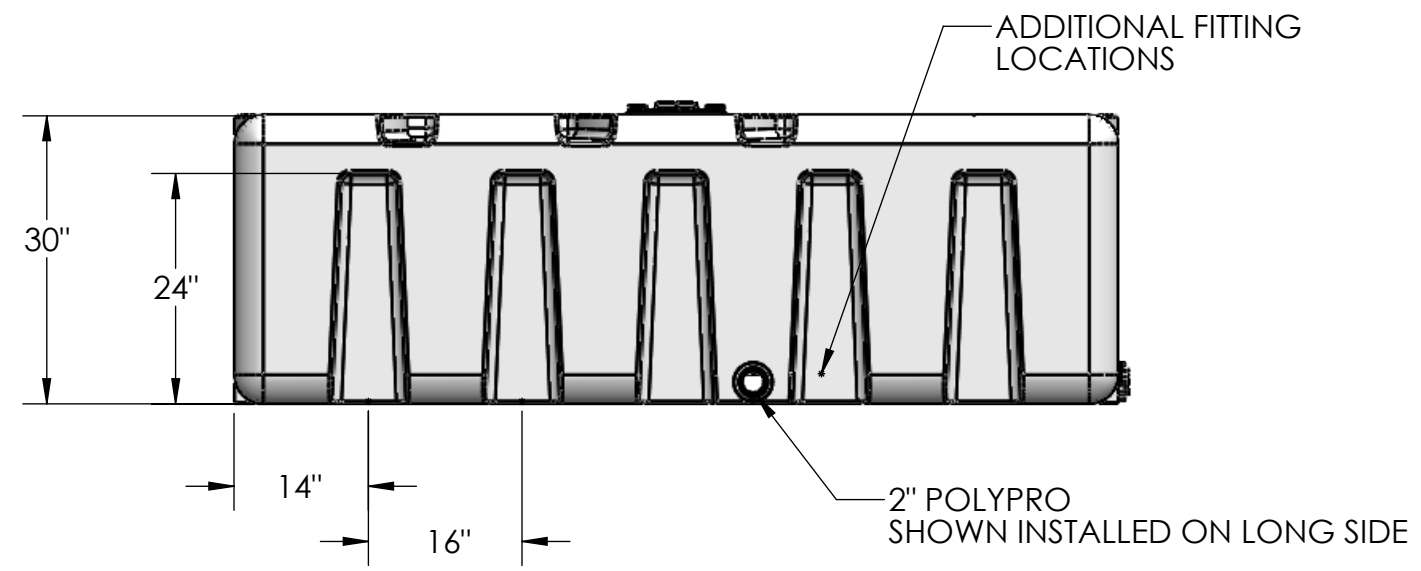


C

C

B

B



NOTES:

1. MATERIAL: HDPE
2. CAPACITY: 500 GALLONS
3. WEIGHT: 195 LBS
4. SPECIFY SHORT OR LONG SIDE FOR FITTING PLACEMENT

A

A

PROPRIETARY AND CONFIDENTIAL
 THE INFORMATION CONTAINED IN THIS DRAWING IS THE SOLE PROPERTY OF <INSERT COMPANY NAME HERE>. ANY REPRODUCTION IN PART OR AS A WHOLE WITHOUT THE WRITTEN PERMISSION OF <INSERT COMPANY NAME HERE> IS PROHIBITED.

		UNLESS OTHERWISE SPECIFIED:		NAME	DATE		
		DIMENSIONS ARE IN INCHES		DRAWN	EBW		1/28/21
		TOLERANCES:		CHECKED			
		FRACTIONAL ±		ENG APPR.			
		ANGULAR: MACH ± BEND ±		MFG APPR.			
		TWO PLACE DECIMAL ±		Q.A.			
		THREE PLACE DECIMAL ±		COMMENTS:			
		INTERPRET GEOMETRIC TOLERANCING PER:		TITLE:			
		MATERIAL		500 GALLON RECTANGULAR TANK			
NEXT ASSY	USED ON	FINISH		SIZE DWG. NO.		REV	
APPLICATION		DO NOT SCALE DRAWING		B 500 RT			
				SCALE: 1:16 WEIGHT:		SHEET 1 OF 1	