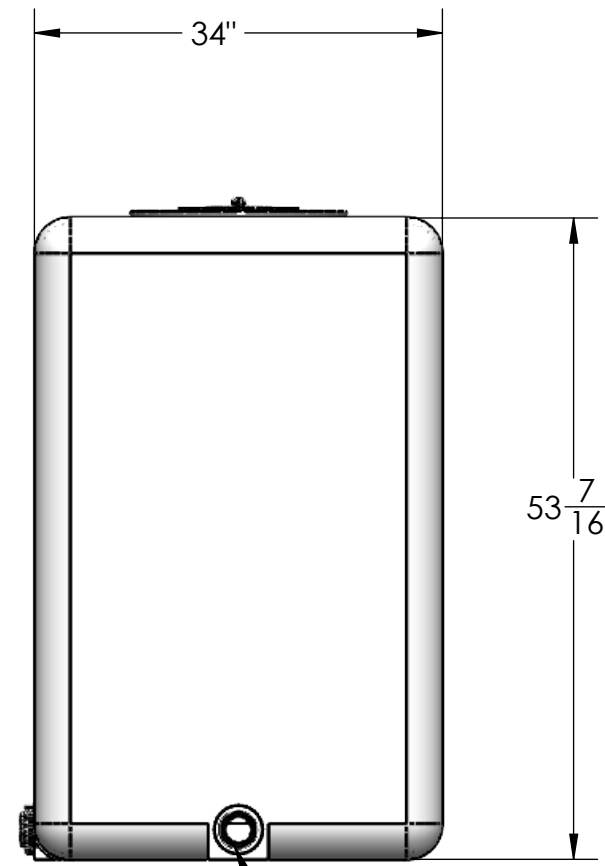
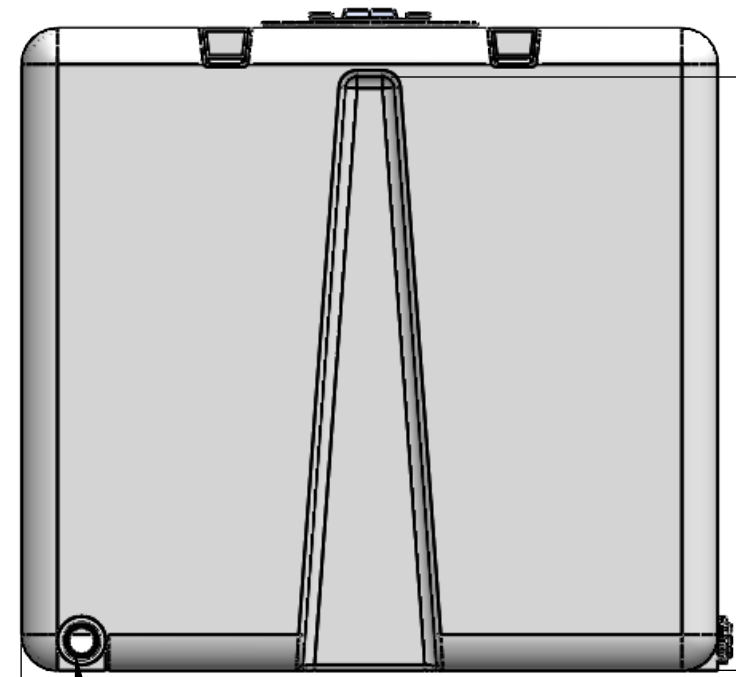


8" THREADED LID WITH BREATHER

16" THREADED LID WITH BREATHER
OPTIONAL UPGRADE

5" THREADED CAP
OPTIONAL

SHOWN WITH OPTIONAL
TIE DOWN BANDS
P/N 400 RTTBS



NOTES:

1. MATERIAL: HDPE
2. CAPACITY: 400 GALLONS
3. WEIGHT: 225 LBS.
4. SPECIFY SHORT OR LONG SIDE FOR FITTING PLACEMENT.

49 ⁷/₁₆"

53 ⁷/₁₆"

58"

2" POLYPRO FITTING
INSTALLED ON LONG SIDE

2" POLYPRO FITTING
INSTALLED
ON SHORT SIDE

PROPRIETARY AND CONFIDENTIAL
THE INFORMATION CONTAINED IN THIS
DRAWING IS THE SOLE PROPERTY OF
<INSERT COMPANY NAME HERE>. ANY
REPRODUCTION IN PART OR AS A WHOLE
WITHOUT THE WRITTEN PERMISSION OF
<INSERT COMPANY NAME HERE> IS
PROHIBITED.

		UNLESS OTHERWISE SPECIFIED:		NAME	DATE		
		DIMENSIONS ARE IN INCHES TOLERANCES: FRACTIONAL ± ANGULAR: MACH ± BEND ± TWO PLACE DECIMAL ± THREE PLACE DECIMAL ±		DRAWN	EBW		12-17-14
				CHECKED			
				ENG APPR.			
				MFG APPR.			
		INTERPRET GEOMETRIC TOLERANCING PER:		Q.A.		TITLE:	
		MATERIAL		COMMENTS:		400 GALLON RECTANGULAR TALL TANK	
		FINISH				SIZE DWG. NO. REV	
NEXT ASSY	USED ON					B 400 RTT	
APPLICATION		DO NOT SCALE DRAWING		SCALE: 1:16 WEIGHT:		SHEET 1 OF 1	