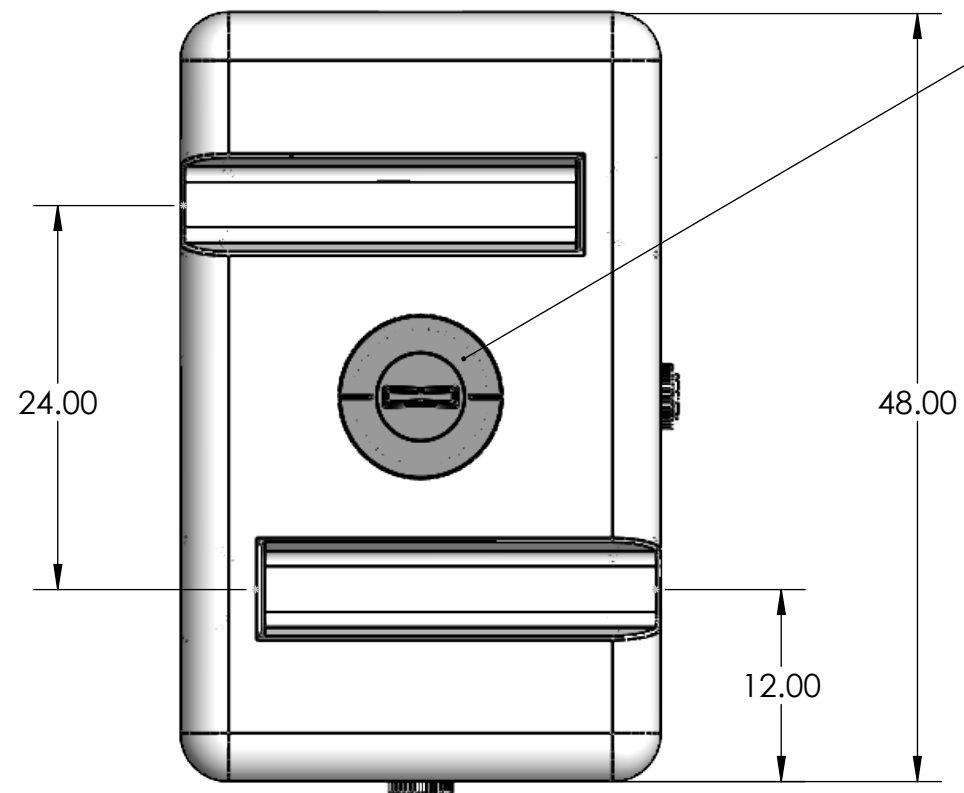
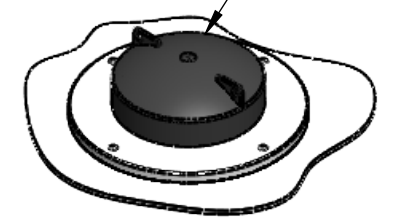


8 7 6 5 4 3 2 1

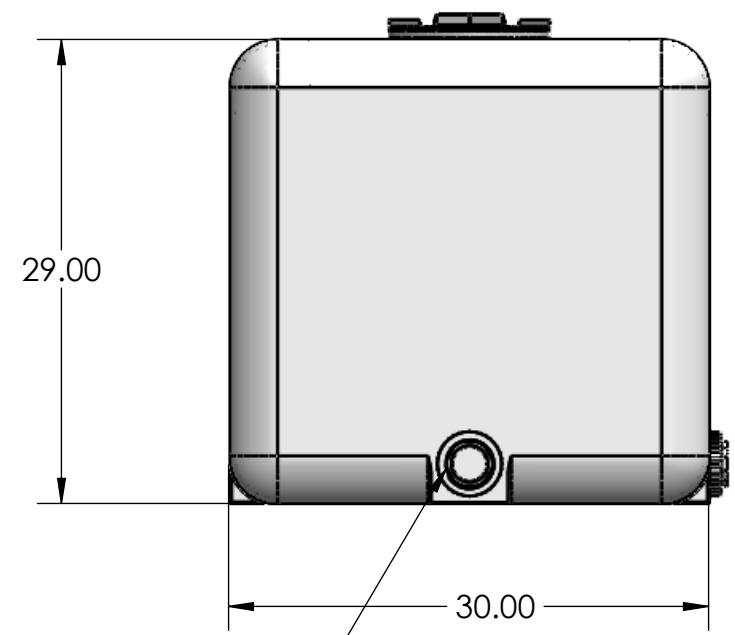
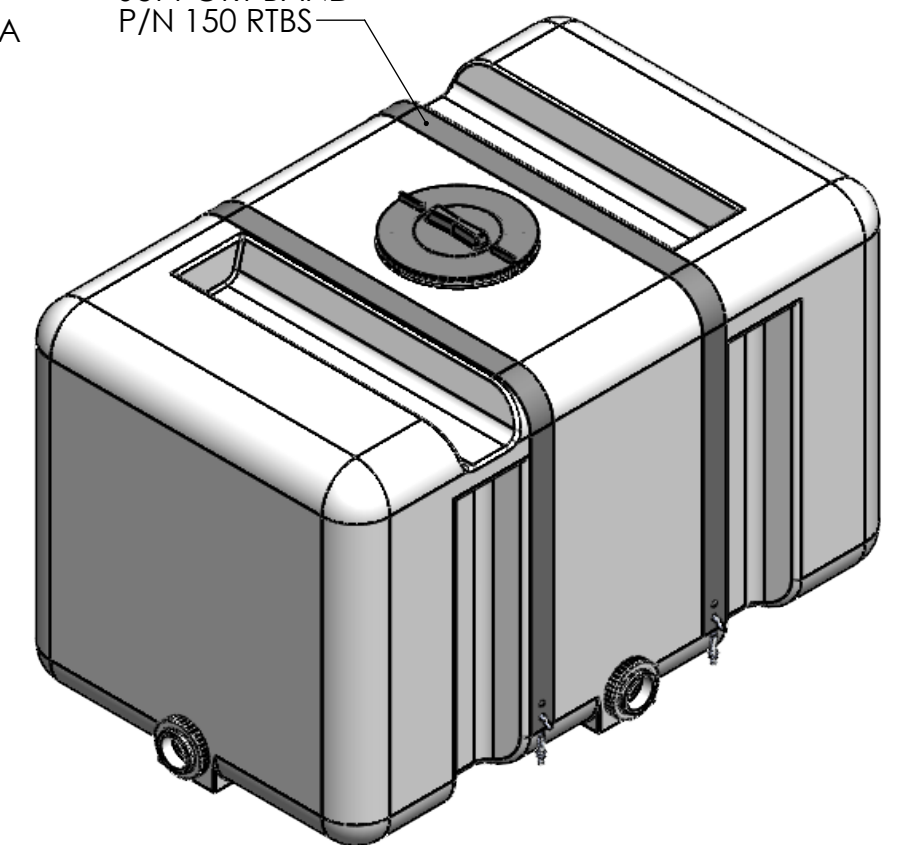


8" THREADED LID STANDARD

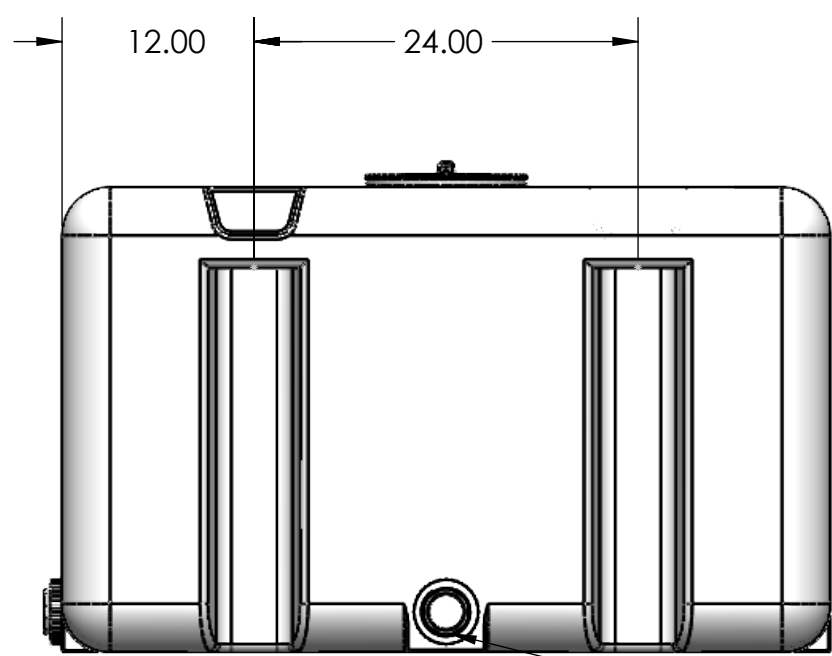


5" THREADED CAP OPTION P/N 5CNA

OPTIONAL SUPPORT BAND P/N 150 RTBS



2" POLYPRO INSTALLED SHORT SIDE



2" POLYPRO INSTALLED LONG SIDE

NOTES:

- 1. MATERIAL: HDPE
- 2. WEIGHT: 70 LBS
- 3. SPECIFY SHORT OR LONG SIDE FOR FITTING PLACEMENT.

PROPRIETARY AND CONFIDENTIAL
 THE INFORMATION CONTAINED IN THIS DRAWING IS THE SOLE PROPERTY OF <INSERT COMPANY NAME HERE>. ANY REPRODUCTION IN PART OR AS A WHOLE WITHOUT THE WRITTEN PERMISSION OF <INSERT COMPANY NAME HERE> IS PROHIBITED.

		UNLESS OTHERWISE SPECIFIED:		NAME	DATE	CUSTOM ROTO-MOLDING, INC.
		DIMENSIONS ARE IN INCHES TOLERANCES: FRACTIONAL ± ANGULAR: MACH ± BEND ± TWO PLACE DECIMAL ± THREE PLACE DECIMAL ±		EBW	4-18-13	
		INTERPRET GEOMETRIC TOLERANCING PER:		DRAWN		TITLE: 150 GALLON RECTANGULAR TANK
		MATERIAL		CHECKED		
		FINISH		ENG APPR.		SIZE DWG. NO. REV B 150 RT
		DO NOT SCALE DRAWING		MFG APPR.		
NEXT ASSY	USED ON			Q.A.		SCALE: 1:16 WEIGHT: SHEET 1 OF 1
APPLICATION				COMMENTS:		

8 7 6 5 4 3 2 1