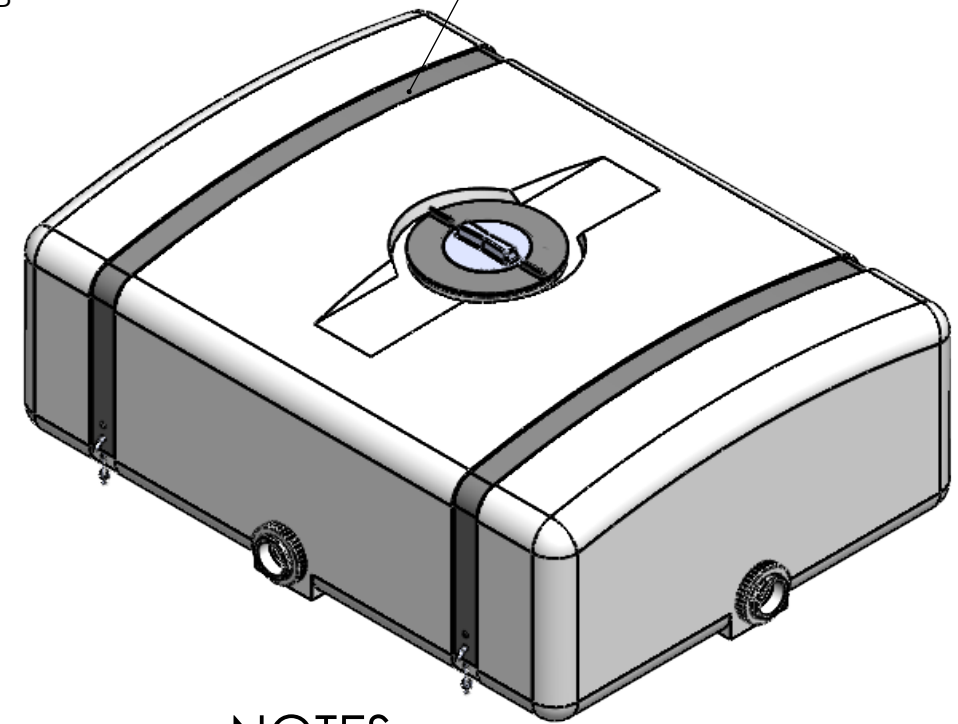
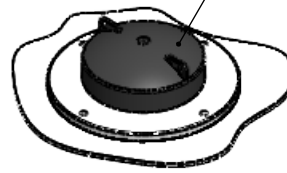
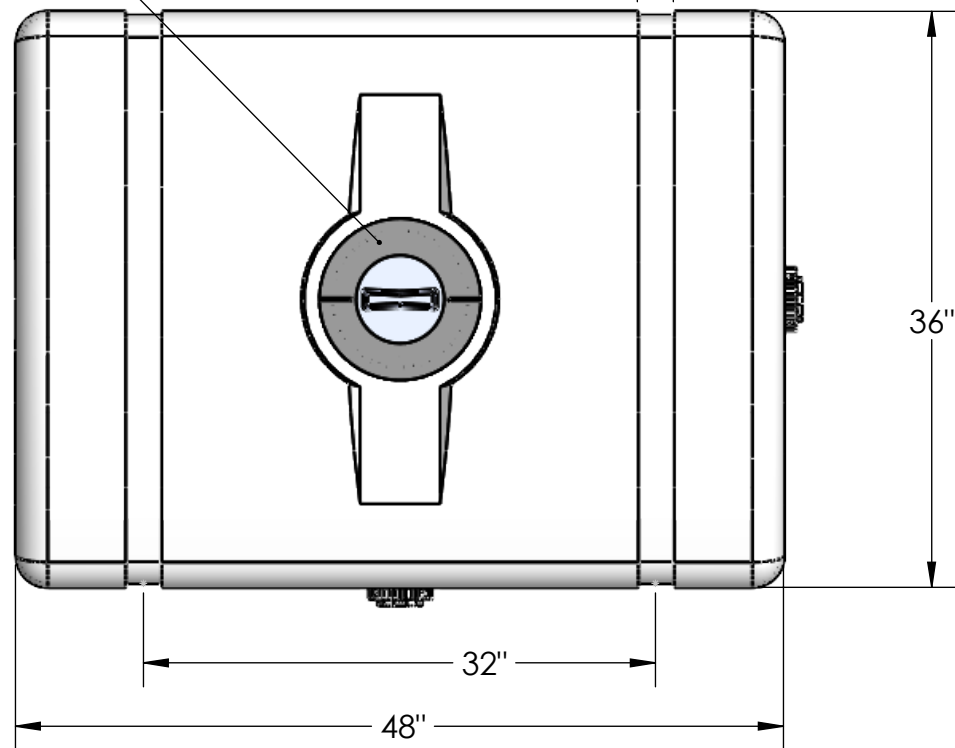


8" THREADED LID
W/BREATHER

2 1/4"

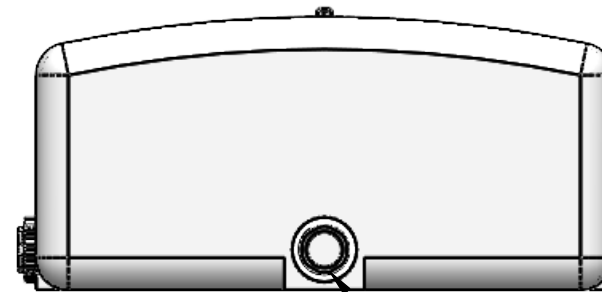
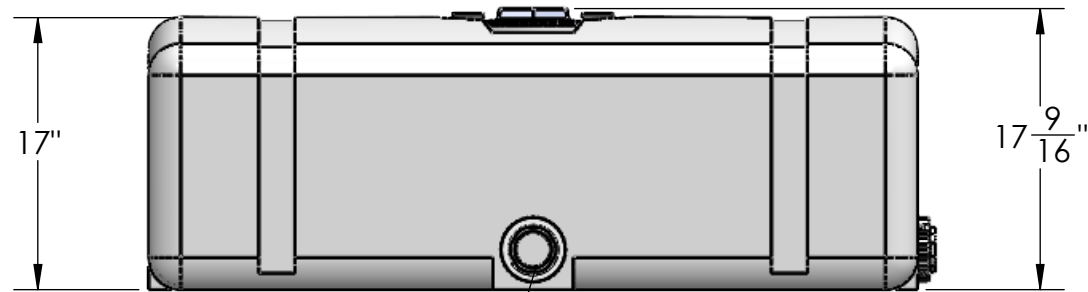
5" THREADED CAP
OPTION

SHOWN WITH OPTIONAL
TIE DOWN BANDS
P/N 110 LPRTBS



NOTES:


1. MATERIAL: HDPE
2. WEIGHT: 55 LBS.
3. CAPACITY: 110 GALLONS
4. SPECIFY LONG OR SHORT SIDE FOR FITTING PLACEMENT.



2" POLYPRO
INSTALLED LONG SIDE

2" POLYPRO INSTALLED SHORT SIDE

PROPRIETARY AND CONFIDENTIAL
THE INFORMATION CONTAINED IN THIS
DRAWING IS THE SOLE PROPERTY OF
<INSERT COMPANY NAME HERE>. ANY
REPRODUCTION IN PART OR AS A WHOLE
WITHOUT THE WRITTEN PERMISSION OF
<INSERT COMPANY NAME HERE> IS
PROHIBITED.

		UNLESS OTHERWISE SPECIFIED:		NAME	DATE		
		DIMENSIONS ARE IN INCHES TOLERANCES: FRACTIONAL ± ANGULAR: MACH ± BEND ± TWO PLACE DECIMAL ± THREE PLACE DECIMAL ±		DRAWN	EBW		1-29-14
		INTERPRET GEOMETRIC TOLERANCING PER:		CHECKED			
		MATERIAL		ENG APPR.			
		FINISH		MFG APPR.			
NEXT ASSY	USED ON			Q.A.			
APPLICATION		DO NOT SCALE DRAWING		COMMENTS:			
						TITLE: 110 GALLON LOW PROFILE RECTANGULAR TANK	
				SIZE	DWG. NO.	REV	
				B	110 LPRT		
				SCALE: 1:12 WEIGHT:		SHEET 1 OF 1	