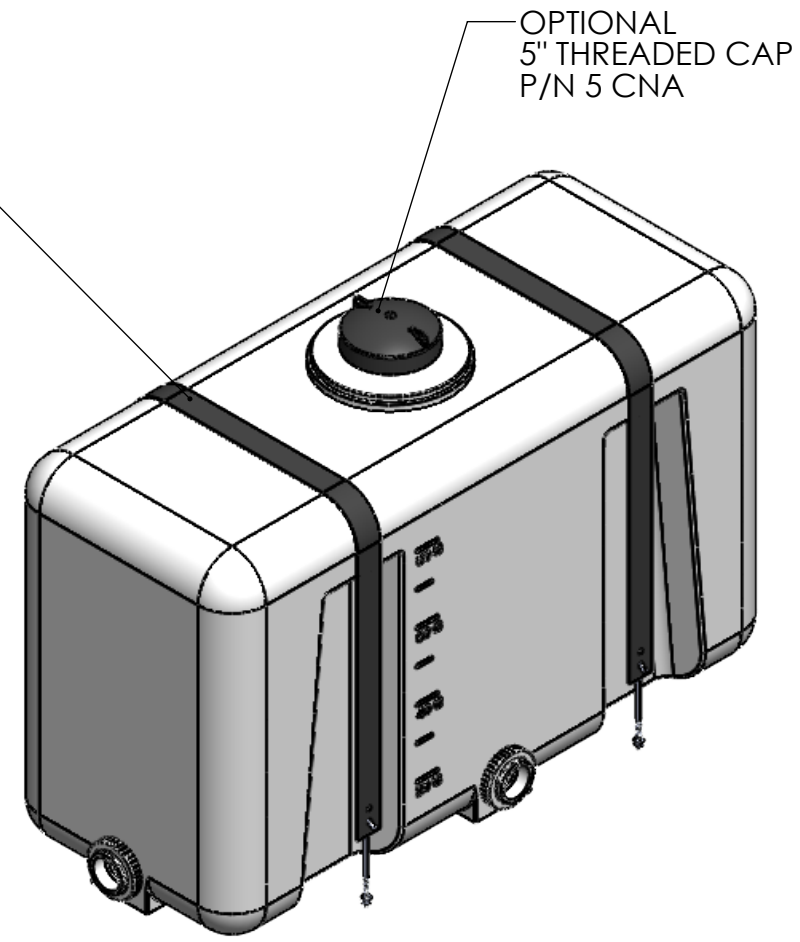
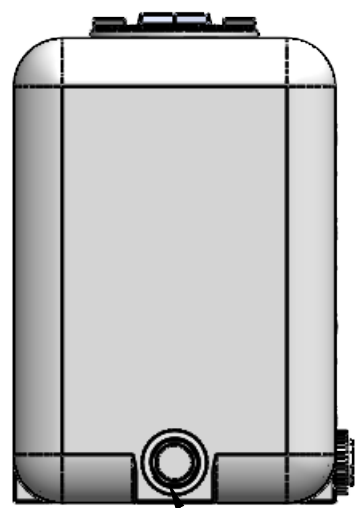


8" THREADED LID WITH BREATHER STANDARD

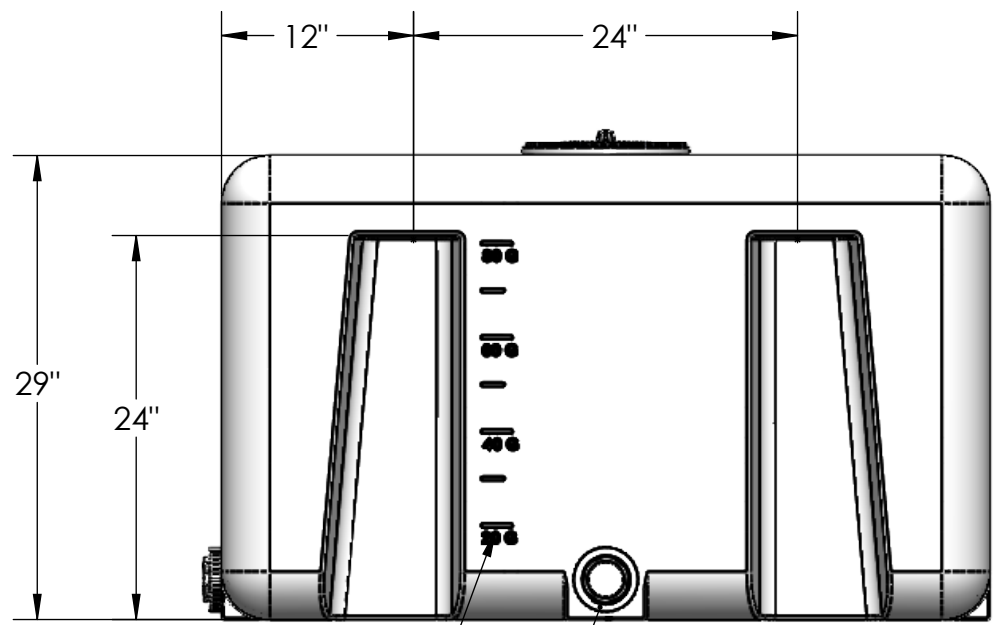


OPTIONAL SUPPORT BANDS (100 RTBS)

OPTIONAL 5" THREADED CAP P/N 5 CNA



2" POLYPRO INSTALLED SHORT SIDE



APPROX. GALLON MARKERS THIS SIDE ONLY

2" POLYPRO INSTALLED LONG SIDE

NOTES:

1. MATERIAL: HDPE
2. WEIGHT: 55 LBS.
3. SPECIFY SHORT OR LONG SIDE FOR FITTING PLACEMENT.

PROPRIETARY AND CONFIDENTIAL
 THE INFORMATION CONTAINED IN THIS DRAWING IS THE SOLE PROPERTY OF <INSERT COMPANY NAME HERE>. ANY REPRODUCTION IN PART OR AS A WHOLE WITHOUT THE WRITTEN PERMISSION OF <INSERT COMPANY NAME HERE> IS PROHIBITED.

		UNLESS OTHERWISE SPECIFIED:		NAME	DATE
		DIMENSIONS ARE IN INCHES		DRAWN	EBW 11/22/24
		TOLERANCES:		CHECKED	
		FRACTIONAL ±		ENG APPR.	
		ANGULAR: MACH ± BEND ±		MFG APPR.	
		TWO PLACE DECIMAL ±		Q.A.	
		THREE PLACE DECIMAL ±		COMMENTS:	
		INTERPRET GEOMETRIC TOLERANCING PER:		TITLE:	
		MATERIAL		100 GALLON RECTANGULAR TANK	
		FINISH		SIZE	DWG. NO.
NEXT ASSY	USED ON			B	100 RT-1
APPLICATION		DO NOT SCALE DRAWING		SCALE: 1:16	WEIGHT:
				SHEET 1 OF 1	REV