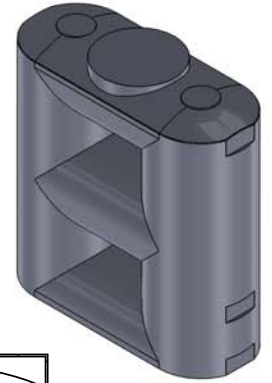
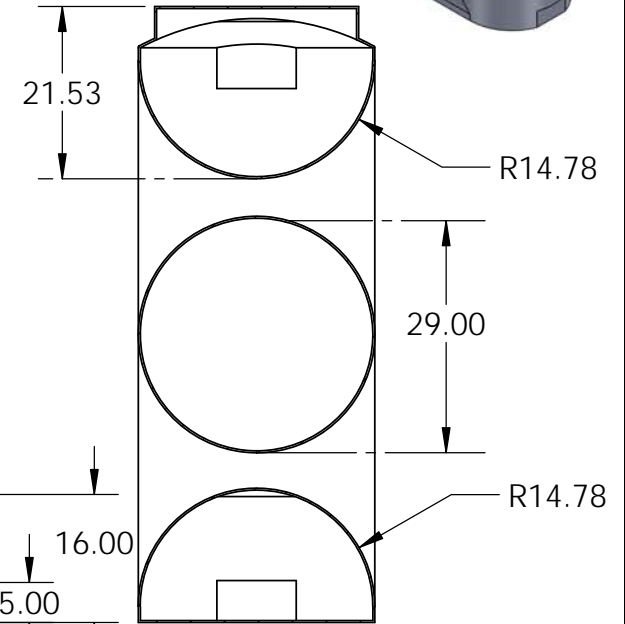
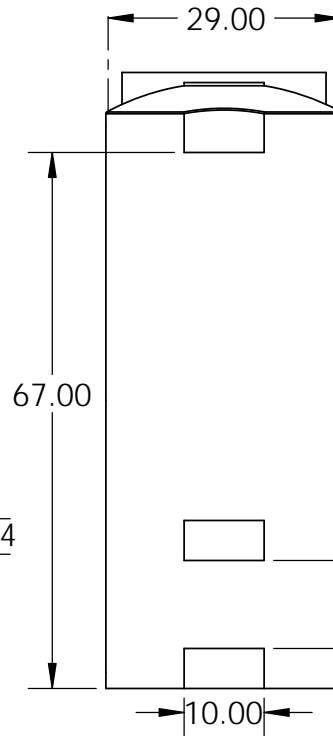
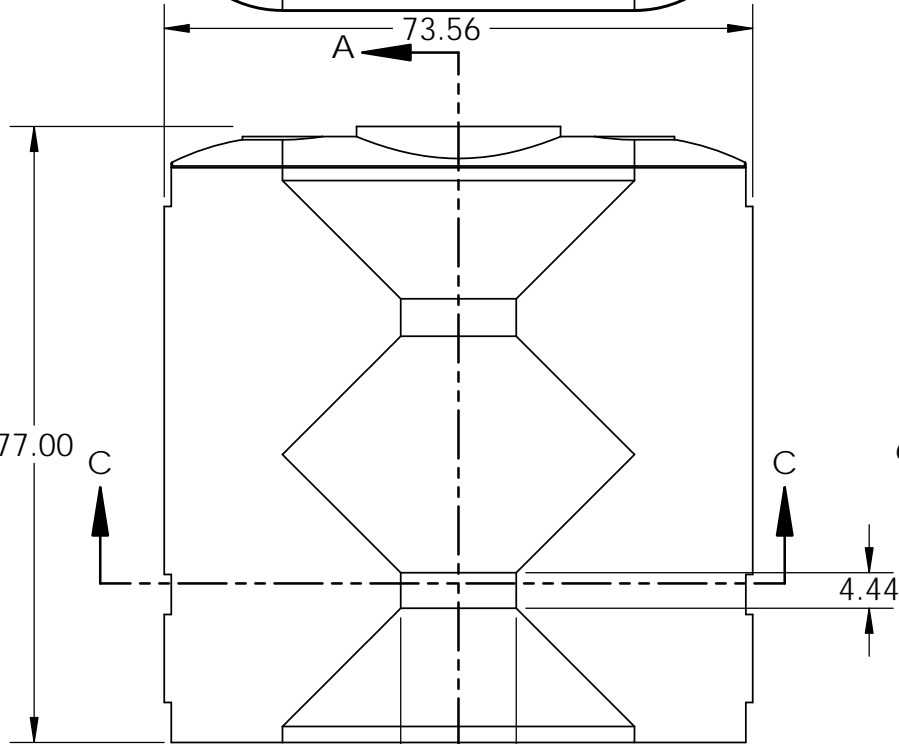


A lid and ring that has a 16" opening will be used



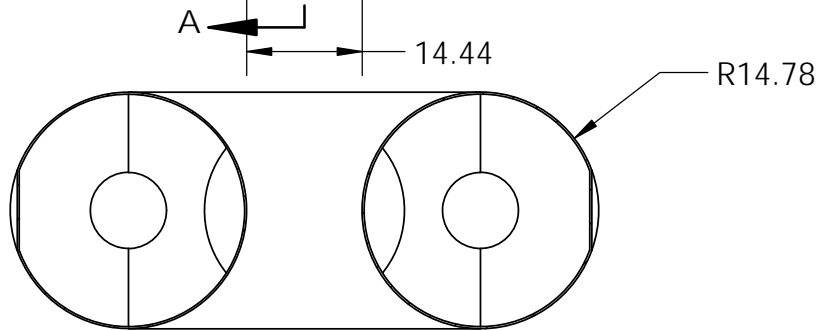
B

B



A

A



SECTION C-C

	NAME	DATE
DRAWN	Brough	10/2/18
CHECKED		
ENG APPR.		
MFG APPR.		
Q.A.		
COMMENTS:		



TITLE:
500 GALLON DOORWAY TANK

SIZE A	DWG. NO.	REV
SCALE: 1:24	WEIGHT:	SHEET 1 OF 1

2

1