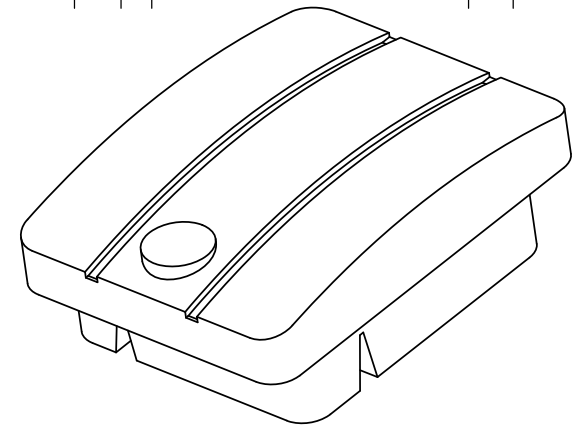


REVISIONS				
ZONE	REV.	DESCRIPTION	DATE	APPROVED



ALL DIMENSIONS DO NOT INCLUDE SHRINK FACTOR
 USE 2.5% SHRINK FACTOR UNLESS OTHERWISE SPECIFIED

UNLESS OTHERWISE SPECIFIED:
 DIMENSIONS ARE IN INCHES
 TOLERANCES:
 FRACTIONAL ±1/16
 ANGULAR: MACH ±.5° BEND ±
 TWO PLACE DECIMAL ±.03
 THREE PLACE DECIMAL ±.01



TITLE:
 170 gallon truck tank

PROPRIETARY AND CONFIDENTIAL

INTERPRET GEOMETRIC TOLERANCING PER:	SIZE B	DWG. NO. TANKT-170	REV C
MATERIAL:	SCALE: 1:12		WEIGHT:
FINISH:	SHEET 1 OF 1		