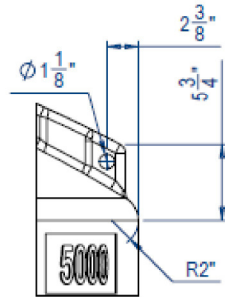
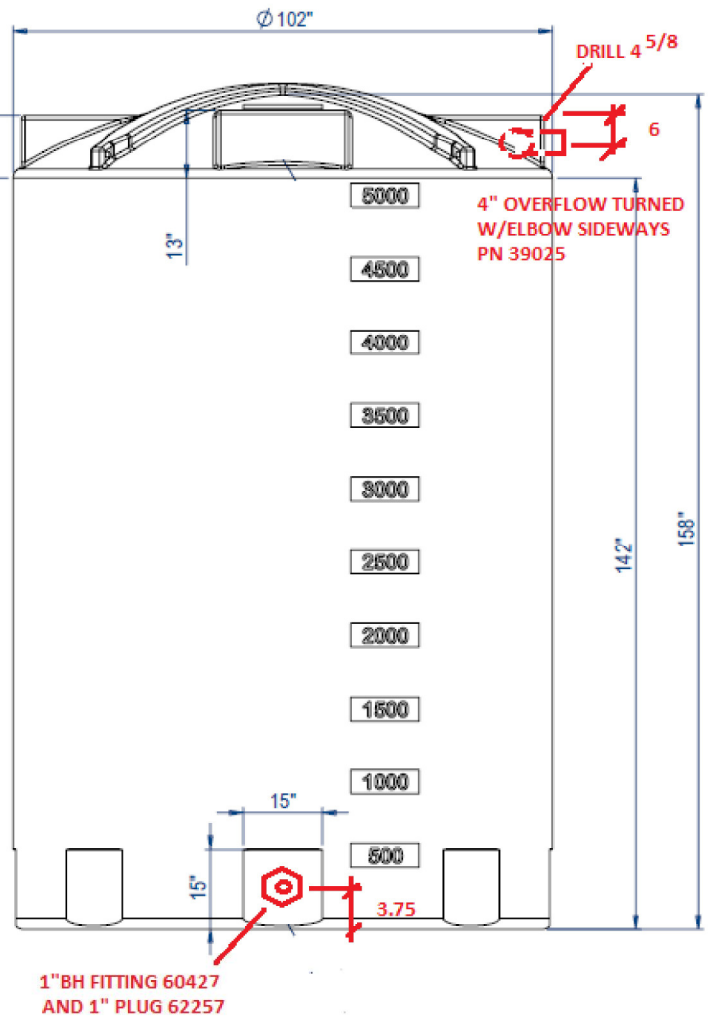
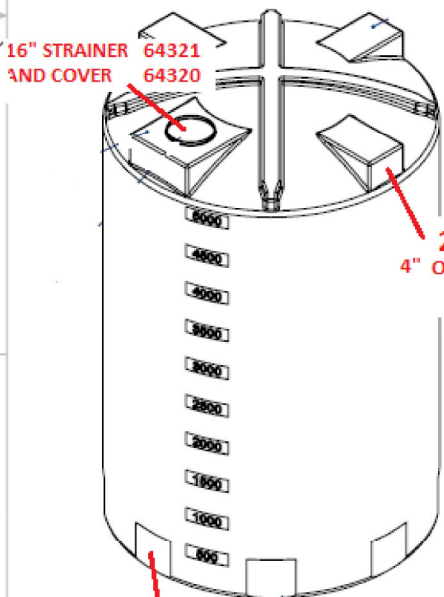
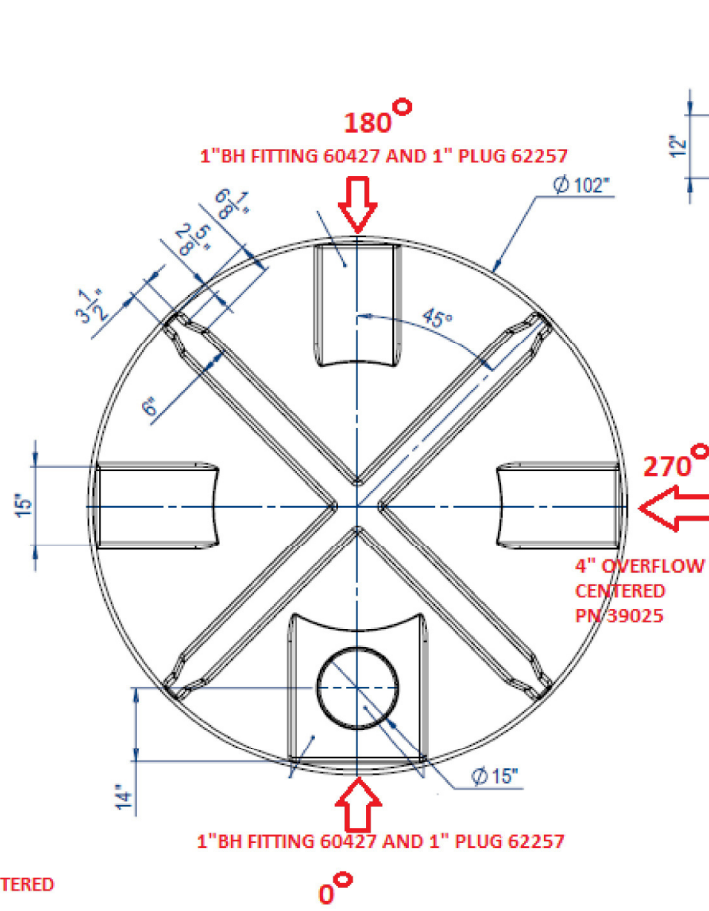


- 30436 Black
- 30719 Mocha
- 30438 Dark Green
- 30718 Dark Brown



Lifting Tab Detail



- NOTES:
1. Bottom Layout Flat (8) - 15" x 15"
 2. Top Layout Flat (3) - 12" x 15"
 3. Dome Flat (1) - 13" x 25"
 4. 16" Manway Lid
 5. Flush Gallon Markers
- All dimensions are finished part dimensions.

Wall thickness 0.375 inches.

PROPRIETARY AND CONFIDENTIAL
 THE INFORMATION CONTAINED IN THIS DRAWING IS THE SOLE PROPERTY OF POLY-MART, INC. 1415 S BRATTON LANE #210, AUSTIN TX 78728. ANY REPRODUCTION IN PART OR AS A WHOLE WITHOUT THE WRITTEN PERMISSION OF POLY-MART, INC. 1415 S BRATTON LANE #210, AUSTIN TX 78728 IS PROHIBITED.

UNLESS OTHERWISE SPECIFIED:		NAME	DATE
DIMENSIONS ARE IN INCHES	DRAWN	GM	10/4/2018
TOLERANCES:	CHECKED		
FRACTIONAL: ±	ENG APPR.		
ANGULAR: MATCH ±	MFG APPR.		
TWO PLACE DECIMAL ±	Q.A.		
THREE PLACE DECIMAL ±	CAD DESIGN BY	CADWorksPro Chicago, IL	
INTERPRET GEOMETRIC TOLERANCING PER:		gilm@cadworkspro.com	
MATERIAL		HDPE	
FINISH		DO NOT SCALE DRAWING	

Bushman
 RAINWATER HARVESTING
 5000 Gallon
 Rain Harvest Water
 SIZE Part Number REV
B 5000 RHT
 SCALE: 1:25 SHEET 1 OF 1