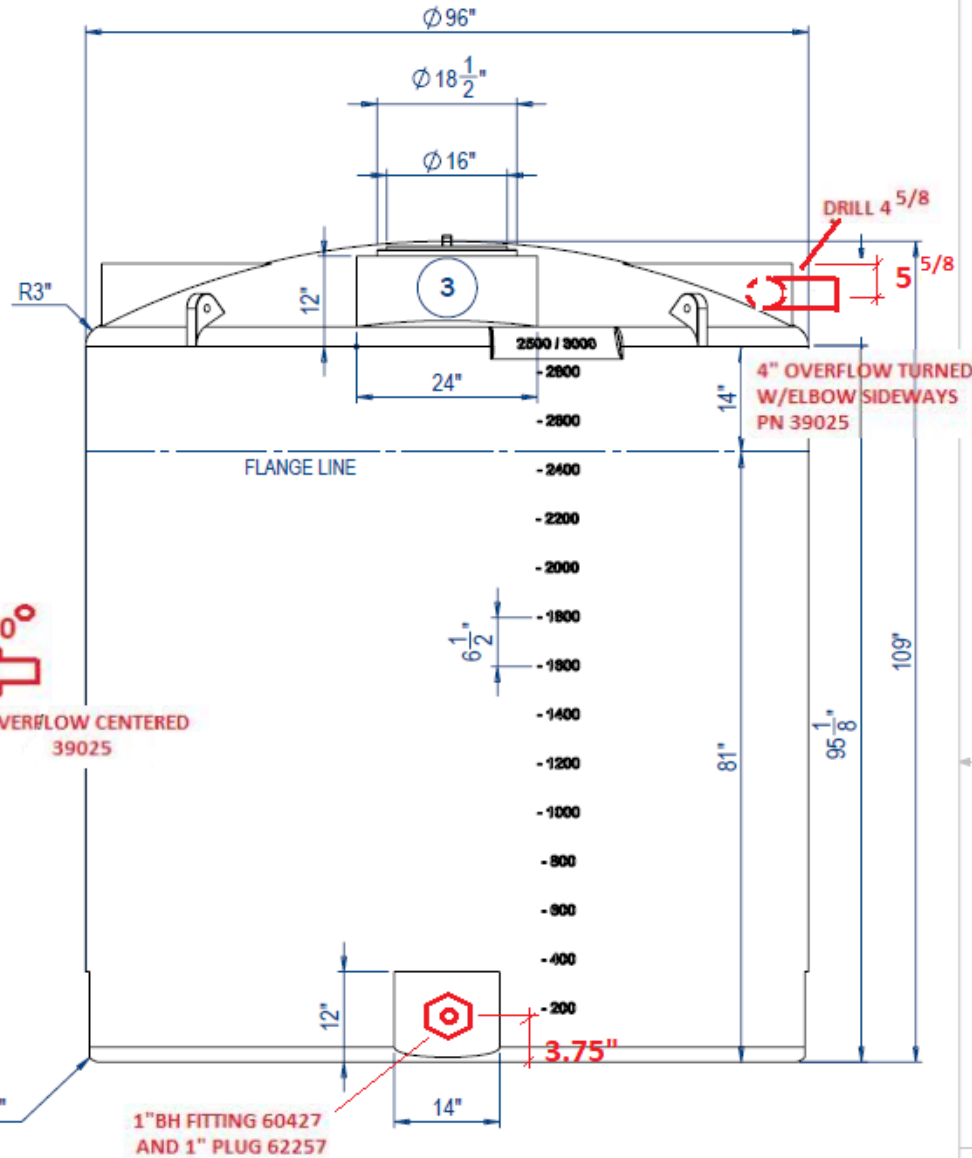
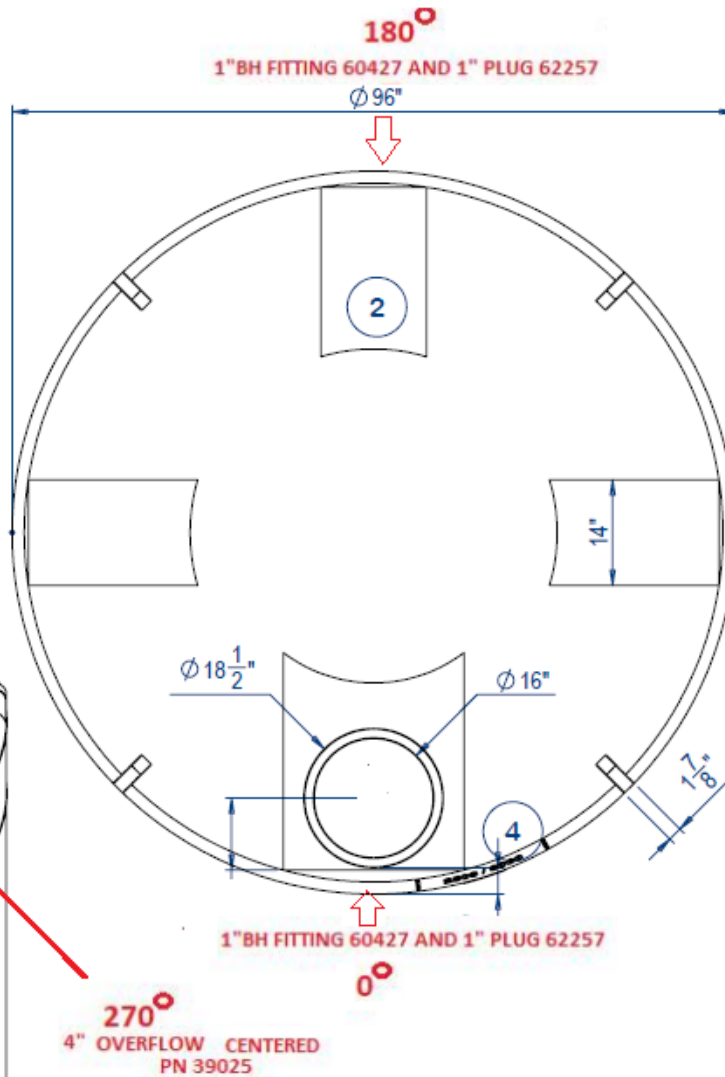
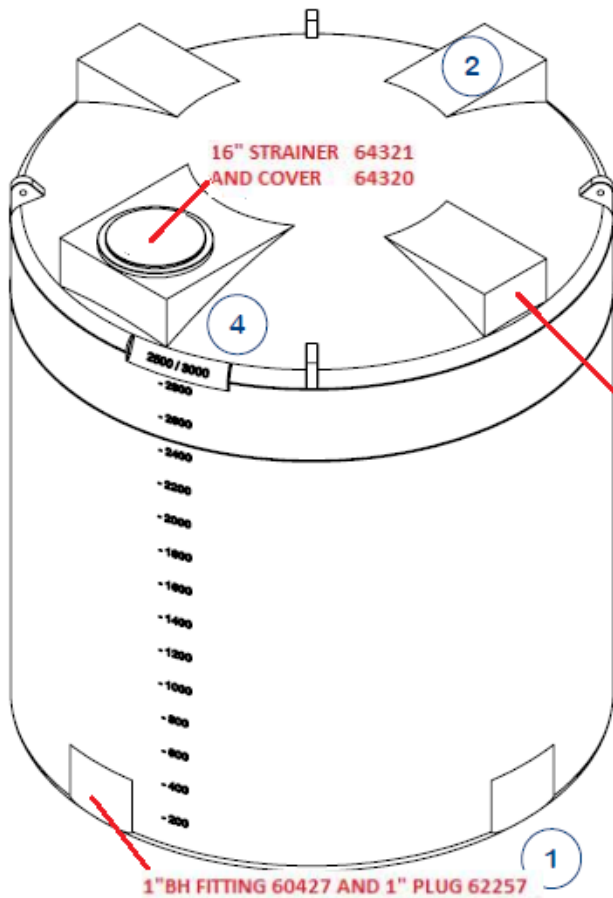


Lifting Tab Detail



NOTES:

1. Bottom Layout Flat (4) - 12" x 14"
2. Top Layout Flat (3) - 11" x 14"
3. Dome Flat (1) - 12" x 24"
4. Manway - 16"
5. Flush Gallon Markers

PROPRIETARY AND CONFIDENTIAL
 THE INFORMATION CONTAINED IN THIS DRAWING IS THE SOLE PROPERTY OF POLY-MART, INC. 16310 BRATTON LANE #210, AUSTIN TX 78728. ANY REPRODUCTION IN PART OR AS A WHOLE WITHOUT THE WRITTEN PERMISSION OF POLY-MART, INC. 16310 BRATTON LANE #210, AUSTIN TX 78728 IS PROHIBITED.

UNLESS OTHERWISE SPECIFIED:

DIMENSIONS ARE IN INCHES
 TOLERANCES:
 FRACTIONAL: ±
 ANGULAR: MACH ± BEND ±
 TWO PLACE DECIMAL ±
 THREE PLACE DECIMAL ±
 INTERPRET GEOMETRIC TOLERANCING PER:
 MATERIAL HDPE
 FINISH
 DO NOT SCALE DRAWING

NAME	DATE
DRAWN GM	8/15/2018
CHECKED	
ENG APPR.	
MFG APPR.	
Q.A.	
CAD DESIGN BY - C:ADWorksPro Chicago, IL	
gilm@cadworkspro.com	



TITLE: 3000 Gallon Vertical Storage Tank
RAIN HARVEST WATER

SIZE Part Number REV
B PM3000

SCALE: 1:20

SHEET 1 OF 1