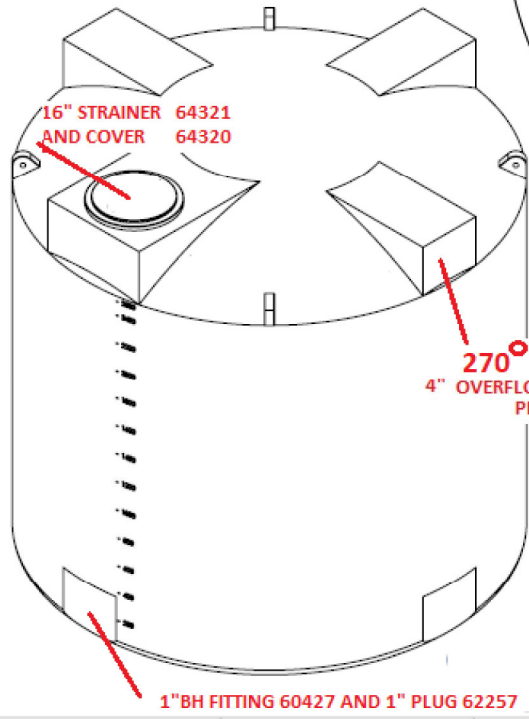
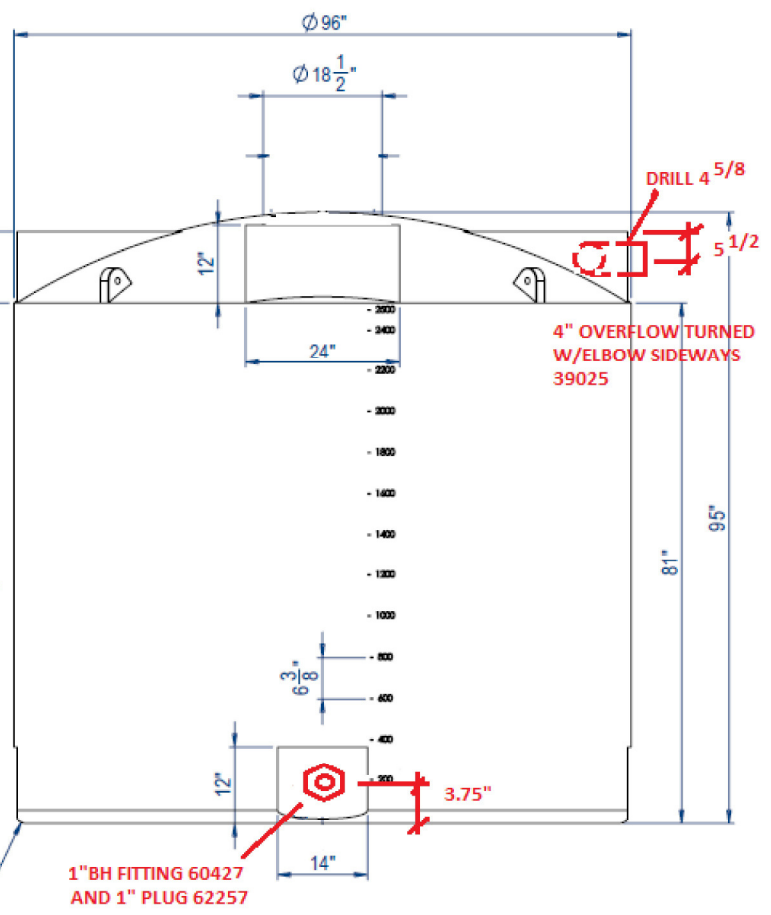
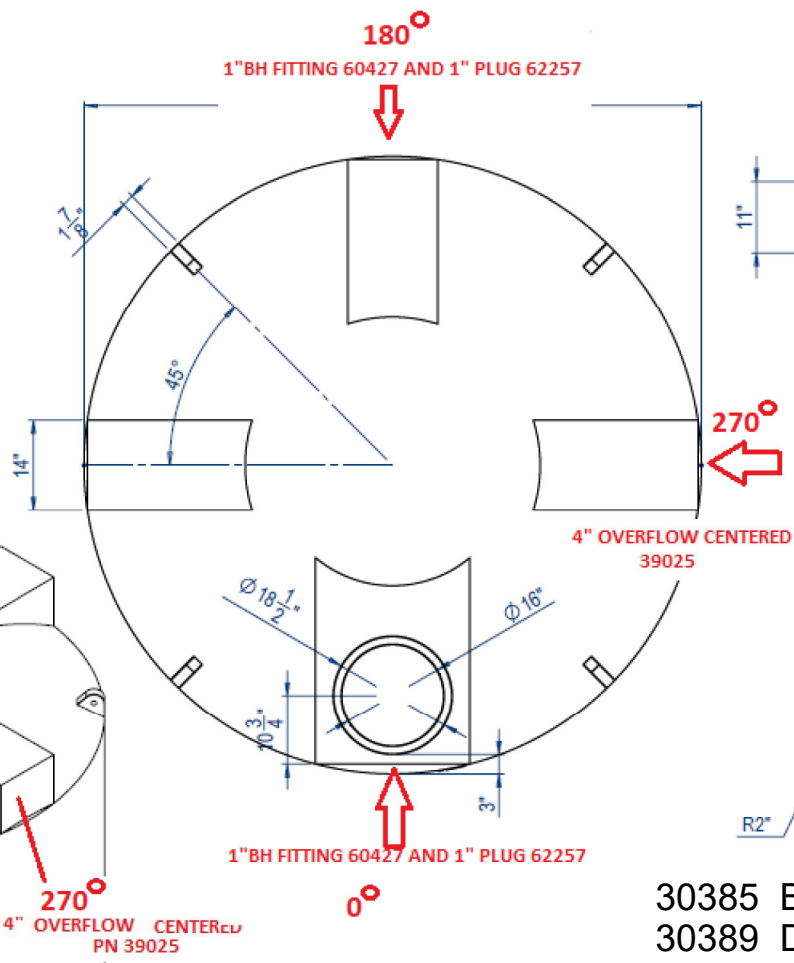
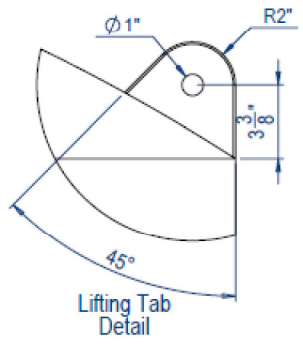


8 7 6 5 4 3 2 1



30385 Black 30717 Mocha
 30389 Dark Green 30388 Dark Brown

- NOTES:**
1. Bottom Layout Flat (4) - 12" x 14"
 2. Top Layout Flat (3) - 11" x 14"
 3. Dome Flat (1) - 12" x 24"
 4. Manway - 16"
 5. Flush Gallon Markers

PROPRIETARY AND CONFIDENTIAL
 THE INFORMATION CONTAINED IN THIS DRAWING IS THE SOLE PROPERTY OF POLY-MART, INC. 18178 SPRATTON LANE #210, AUSTIN TX 78728. ANY REPRODUCTION IN PART OR AS A WHOLE WITHOUT THE WRITTEN PERMISSION OF POLY-MART, INC. 18178 SPRATTON LANE #210, AUSTIN TX 78728 IS PROHIBITED.

UNLESS OTHERWISE SPECIFIED:		NAME	DATE
DIMENSIONS ARE IN INCHES		DRAWN	GM 1/16/2017
TOLERANCES:		CHECKED	
FRACTIONAL: ±		ENG APPR.	
ANGULAR: MATCH ± BEND ±		MFG APPR.	
TWO PLACE DECIMAL ±		Q.A.	
THREE PLACE DECIMAL ±		CAD DESIGN BY -	
INTERPRET GEOMETRIC TOLERANCING PER:		CADWorksPro	
MATERIAL	HDPE	Chicago, IL	
FINISH		gilm@cadworkspro.com	
DO NOT SCALE DRAWING			

Bushman
 RAINWATER HARVESTING

TITLE: **2500 Gallon Rain Harvest Water**

SIZE DWG. NO. **B 2500 RHT** REV

SCALE: 1:20 SHEET 1 OF 1