

# RAIN HARVESTING

by Blue Mountain Co

## Leaf Eater® Advanced



### Installation and Specification Guide

#### PRODUCT DETAILS

The compact size of the Leaf Eater® Advanced allows it to squeeze into small spaces. Its swivelling base allows even more installation flexibility, allowing you to mount it easily to horizontal or vertical pipes.

Like all rain heads, it improves your water quality by filtering out leaves and debris with its fine, mesh screen.

[rainharvesting.com](http://rainharvesting.com)

Code	Size	Country
RHAD01	90mm	Australia
RHAD02	100mm	
RHAD05	100x50mm	
RHAD06	100x75mm	USA
RHAD90	2x3"/3x4"	
RHAD100	3"/4"	New Zealand
RHAD200	80/100mm	
RHAD302	100mm	South Africa
RHAD502	68mm/110mm	UK
RHAD602	75/105/110mm	Europe
RHAD02	110mm	India

# Installation

---

## WHAT'S IN THE BOX?

- Leaf Eater® Advanced

## TOOLS/MATERIALS YOU MAY REQUIRE

- Tape measure
- Marker pen
- Saw
- Screws
- Screwdriver or drill
- Solvent cement glue

---

NOTE 1: Ensure a suitable gap 20mm-50mm is placed between the open end of your downpipe and screen of your rain head, to allow debris to escape the flow of water.

This can vary depending on the type/size of leaf matter and debris you experience in your gutter.

---

## GUTTER, EAVE & "MID" MOUNT (VERTICAL)

1 - Locate the position at which you will be installing your Leaf Eater® Advanced rain head. Whether this is directly under your gutter/eave or midway down your downpipe, it should be a minimum of 500mm above your tank inlet and tank overflow pipe.

2 - For installation on a vertical downpipe directly under your gutter, measure 208mm from the bottom of the existing gutter pop and remove this section of downpipe. For installation under your eaves or midway down your downpipe, remove a 208mm section of pipe at your desired installation point. Ensure all cut edges are clean and smooth (FIGURE 1).

3 - Remove the Clean Shield™ screen by lifting it up and then out (FIGURE 2).

4 - Insert your Leaf Eater® Advanced rain head by sliding it up behind the top section of downpipe and then down into position. The rain head outlet pipe should be slid firmly into the bottom downpipe until it can be pushed no further (FIGURE 3).

5 - Using the screw slots provided, screw your Leaf Eater® Advanced into position. Ensure appropriate screws (and anchors if required) are used (FIGURE 5).

6 - Reinsert the Clean Shield™ screen into your rain head. Ensure the screen sits firmly in place and check installation is secure (FIGURE 6).

7 - If desired, you can paint your rain head to match your downpipes and/or building.

---

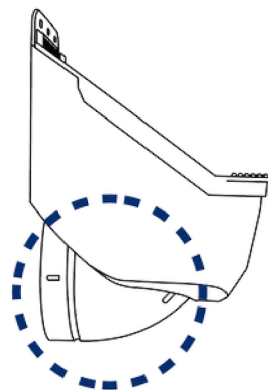
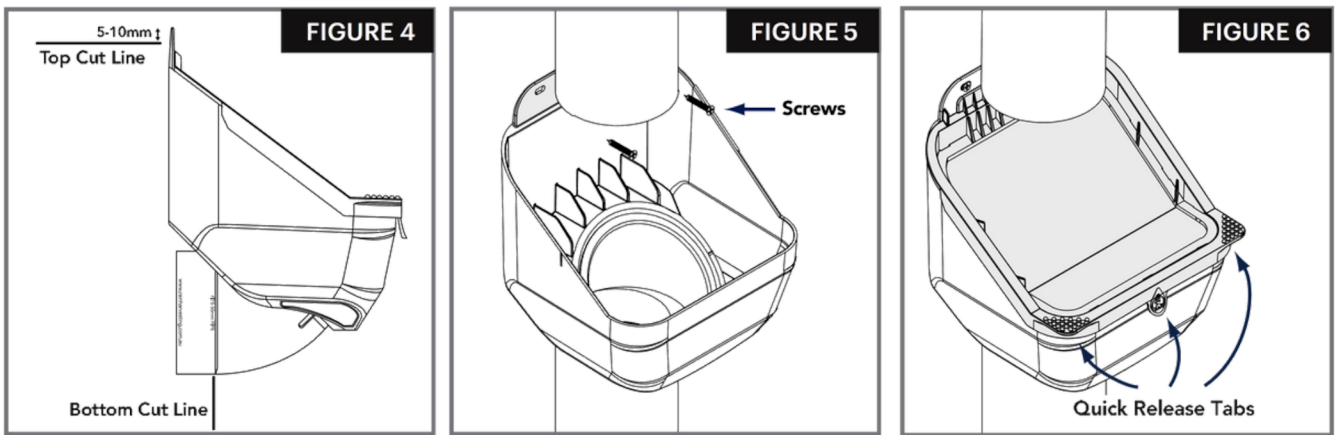
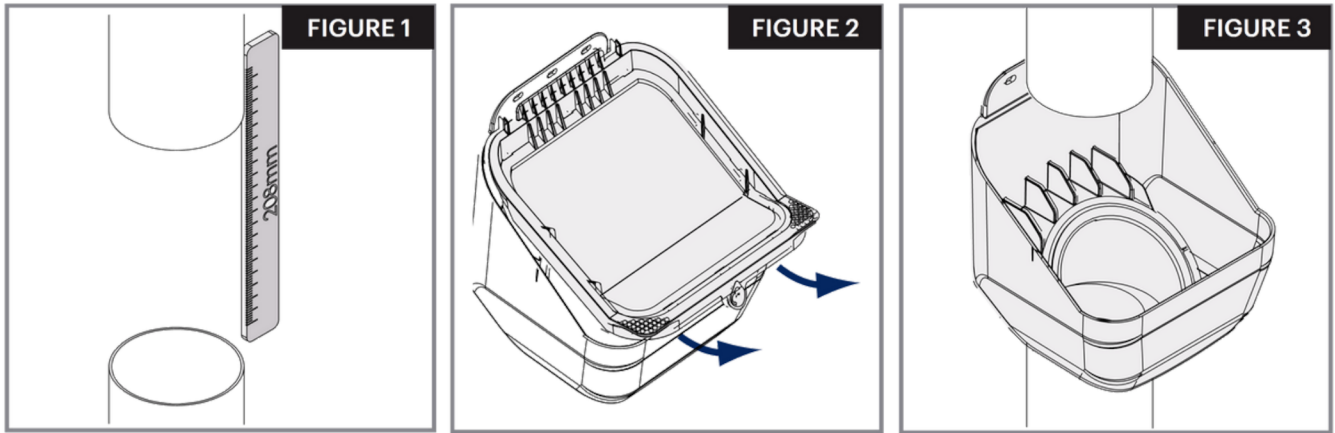
## GUTTER MOUNT (HORIZONTAL)

---

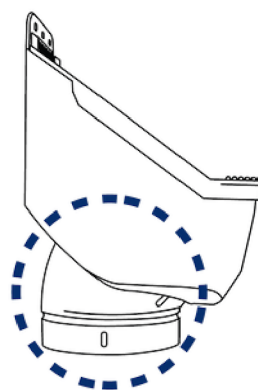
- 1 - Locate the position at which you will be installing your Leaf Eater® Advanced rain head. Whether this is directly under your gutter/eave or midway down your downpipe, it should be a minimum of 500mm above your tank inlet and tank overflow pipe.
- 2 - Remove the Clean Shield™ screen by lifting it up and then out (FIGURE 2).
- 3 - Swivel the outlet to the horizontal position. Some force may be required.
- 4 - Position your Leaf Eater® Advanced next to your existing pipework and use it as a template to mark top and bottom cutting lines. Cut the pipe where you have marked. Ensure all cut edges are clean and smooth (FIGURE 4).
- 5 - Use solvent cement to glue the rear outlet into the horizontal pipe. The back fixing plate should sit behind the top section of downpipe.
- 6 - Screw your Leaf Eater® Advanced into position using the screw slots provided. Use appropriate screws (and anchors if required) (FIGURE 5).
- 7 - Reinsert the Clean Shield™ screen into your rain head. Ensure the screen sits firmly in place and check installation is secure (FIGURE 6).
- 8 - If desired, you can paint your rain head to match your downpipes and/or building.

Figure 1

### Suggested Installation Orientations



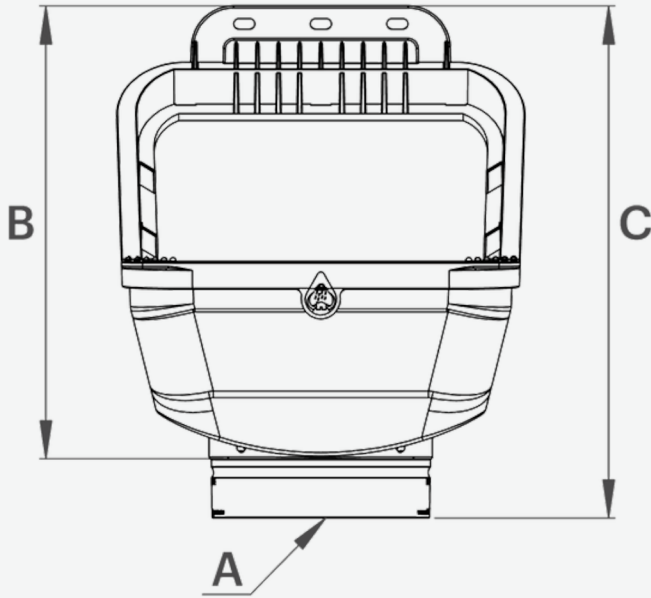
Horizontal Position



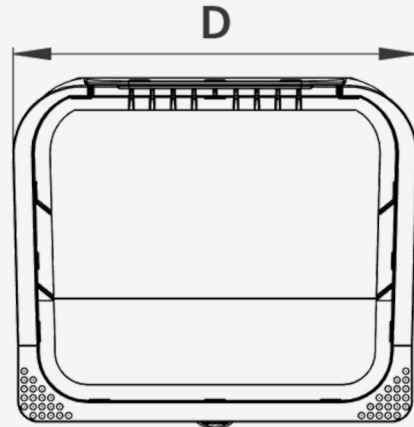
Vertical Position

# Product Specifications

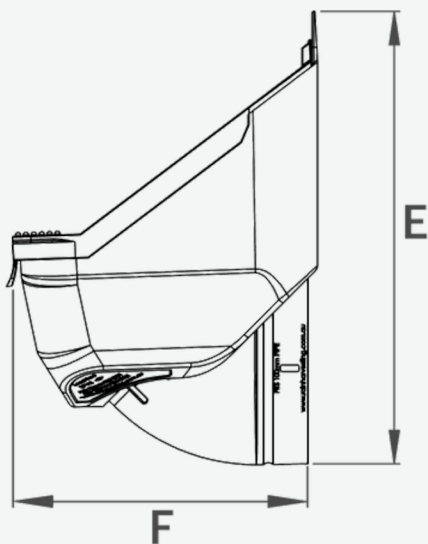
## Leaf Eater® Advanced



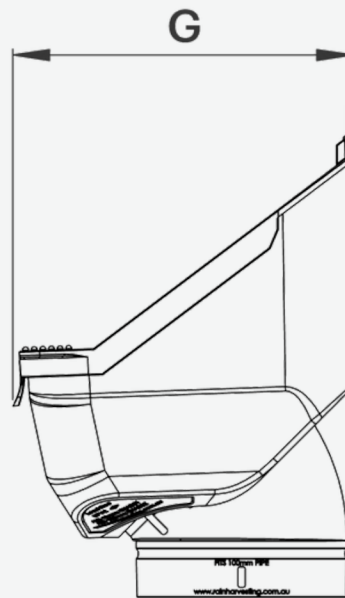
FRONT VIEW



TOP VIEW



SIDE VIEW (REAR OUTLET)



SIDE VIEW

# Product Specifications

## Leaf Eater® Advanced

Country	Code	A	B	C	D	E	F	G
Australia	RHAD01	90 IP	214	242	193	243	163	167
	RHAD02	100 IP	214	242	193	243	163	167
	RHAD05	100 x 50 F	214	289	193	243	210	167
	RHAD06	100 x 75 F	214	290	193	243	211	167
USA	RHAD90	2" x 3" F	8.42"	10.89"	7.59"	10.94"	7.8"	6.57"
		3" x 4" F	8.42"	10.89"	7.59"	10.94"	7.8"	6.57"
	RHAD100	3" SDR35 F / SCH40 F	8.42"	10.71"	7.59"	10.94"	7.59"	6.57"
		4" SDR35 F / SCH40 F	8.42"	10.71"	7.59"	10.94"	7.59"	6.57"
New Zealand	RHAD200	80 F	214	267	193	243	188	167
		100 IP	214	242	193	243	163	167
South Africa	RHAD302	100 IP	214	242	193	243	163	167
UK	RHAD502	68 F	214	264	193	243	185	167
		110 IP	214	242	193	243	163	167
Europe	RHAD602	75 F	214	264	193	243	185	167
		105 F	214	263	193	243	184	167
		110 IP	214	242	193	243	163	167
India	RHAD02	110 IP	214	242	193	243	163	167

All dimensions are in mm unless otherwise stated.

Fitting guide:

F = Female / Socket Fitting

M = Male / Spigot Fitting (Pipe size)

IP = In-Pipe Fitting

# Maintenance

Your rain head's Clean Shield™ screen is mostly self-cleaning. If cleaning is required, simply take hold of the quick release tabs and pull the Clean Shield™ screen upwards and outwards, then hose or brush off before reinserting the screen.



A common misconception about collecting rainwater is that all you need is a roof, a tank and some rain. This 'tanking' approach cannot always be relied on to deliver the volume – or quality – of water that you require. That is where we can help.

With some thought, your rain harvesting system can provide you with cleaner water and lots of it. Whether you're completely reliant on tank water or wanting to keep the garden green, our simple steps will help you achieve your goal.

The Rain Harvesting approach to rainwater collection involves using tested and proven products to make quality rainwater available for use in and around your property. You don't need much to get started and you will be surprised how easy it is to get the most out of your rainwater system.

[How can we help you?](#)

---

## COMPLIANCE

---

- AS/NZS 3500.3:2003 Plumbing and Drainage – Stormwater Drainage
- enHealth Council
  - Guidance on the Use of Rainwater Tanks
  - Preventing Mosquitoes Breeding
- HB230:2008 Rainwater Tank Design and Installation Handbook
- Queensland Health Regulations 1996 (Part 8 – Mosquito Prevention)

**DISCLAIMER** This product specification is not a complete guide to product usage. Further information is available from Rain Harvesting Pty Ltd and from the installation and Operating instructions. This specification sheet must be read in conjunction with the installation and Operating Instructions and all applicable statutory requirement. Product specifications may change without notice. © Rain Harvesting Pty Ltd

# RAIN HARVESTING

by Blue Mountain Co

For more information or to find out  
how we can help, just give us a call on

**+61 7 3248 9600**

Or visit our website at

**[rainharvesting.com](http://rainharvesting.com)**