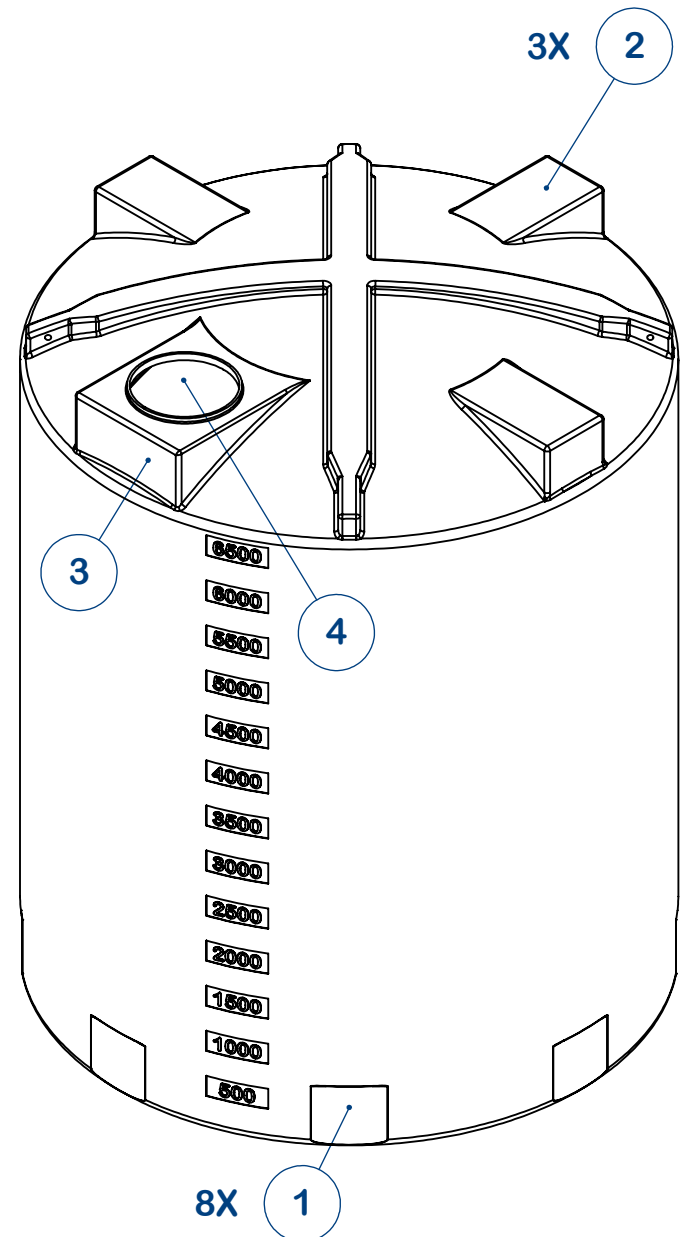
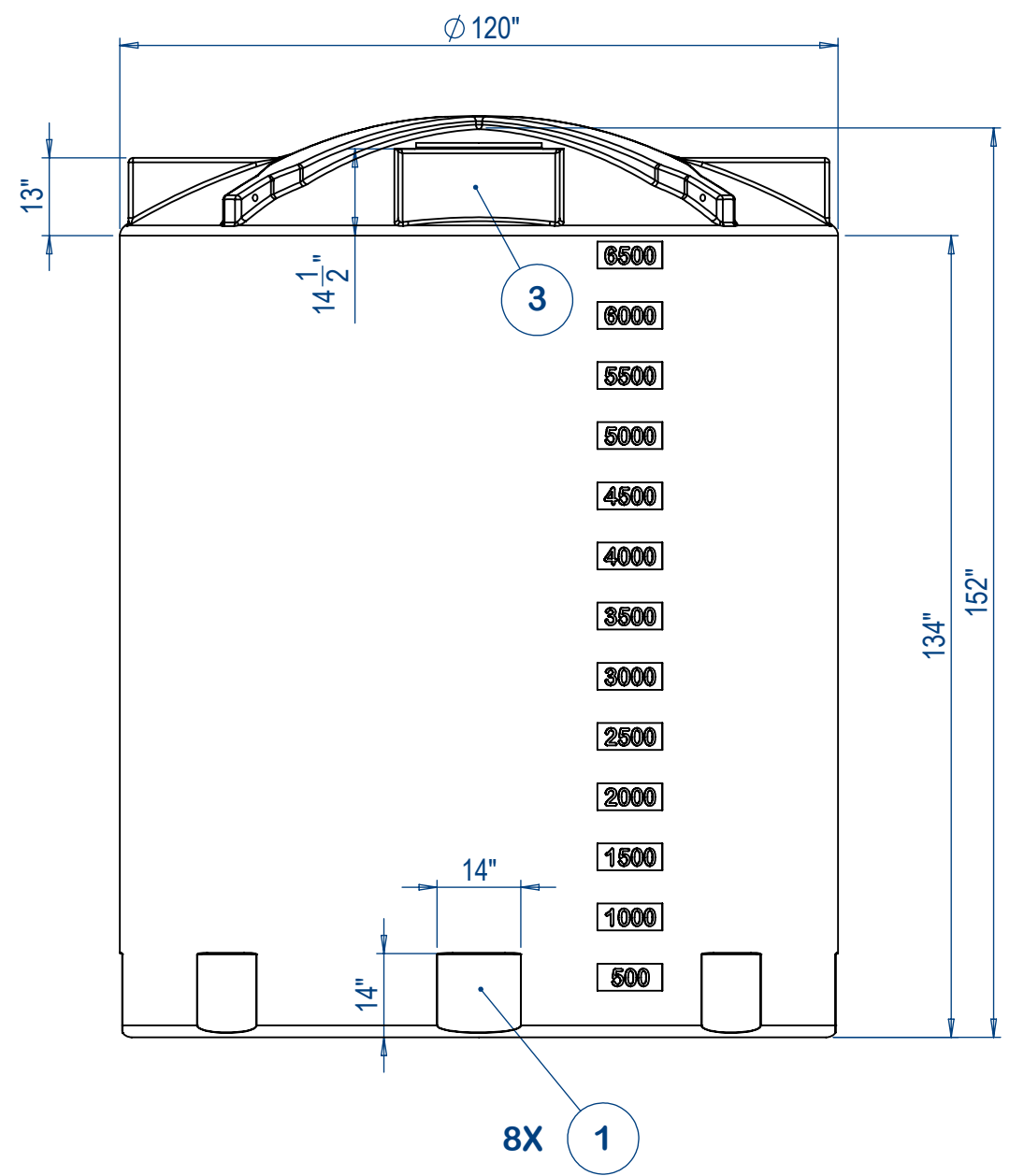
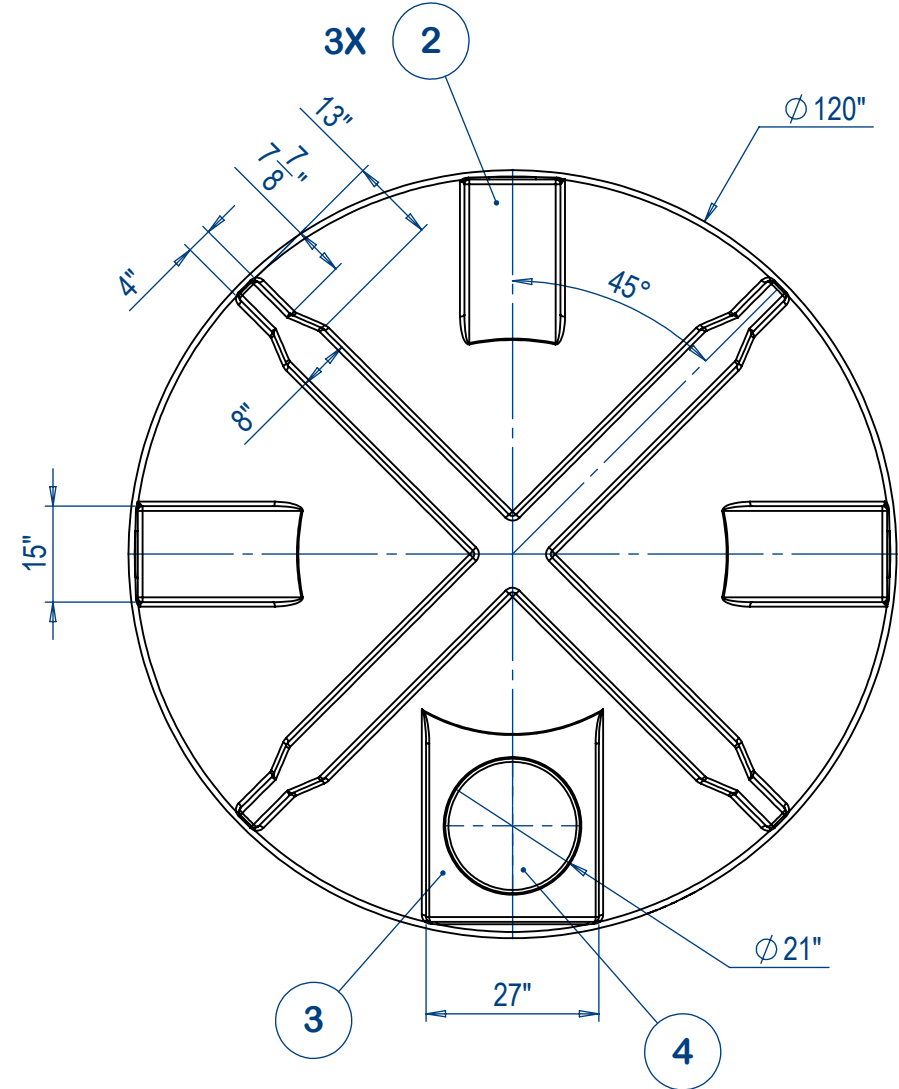


Lifting Tab Detail



NOTES:

1. Bottom Layout Flat (8) - 14" x 14"
2. Top Layout Flat (3) - 13" x 15"
3. Dome Flat (1) - 14.5" x 27"
4. 22" Manway Lid
5. Flush Gallon Markers

All dimensions are finished part dimensions.

Wall thickness 0.50 inches.

PROPRIETARY AND CONFIDENTIAL  
 THE INFORMATION CONTAINED IN THIS DRAWING IS THE SOLE PROPERTY OF POLY-MART, INC. 16310 BRATTON LANE #210, AUSTIN TX 78728. ANY REPRODUCTION IN PART OR AS A WHOLE WITHOUT THE WRITTEN PERMISSION OF POLY-MART, INC. 16310 BRATTON LANE #210, AUSTIN TX 78728 IS PROHIBITED.

UNLESS OTHERWISE SPECIFIED:		NAME	DATE	
DIMENSIONS ARE IN INCHES		DRAWN	GM	
TOLERANCES:		CHECKED		TITLE: <b>6500 Gallon Tank</b>
FRACTIONAL ±		ENG APPR.		
ANGULAR: MACH ± BEND ±		MFG APPR.		
TWO PLACE DECIMAL ±		Q.A.		SIZE <b>B</b> Part Number <b>PM6500</b> REV SCALE: 1:30 SHEET 1 OF 1
THREE PLACE DECIMAL ±		CAD DESIGN BY - CADWorksPro Chicago, IL gilm@cadworkspro.com		
INTERPRET GEOMETRIC TOLERANCING PER:		DO NOT SCALE DRAWING		
MATERIAL HDPE				
FINISH				