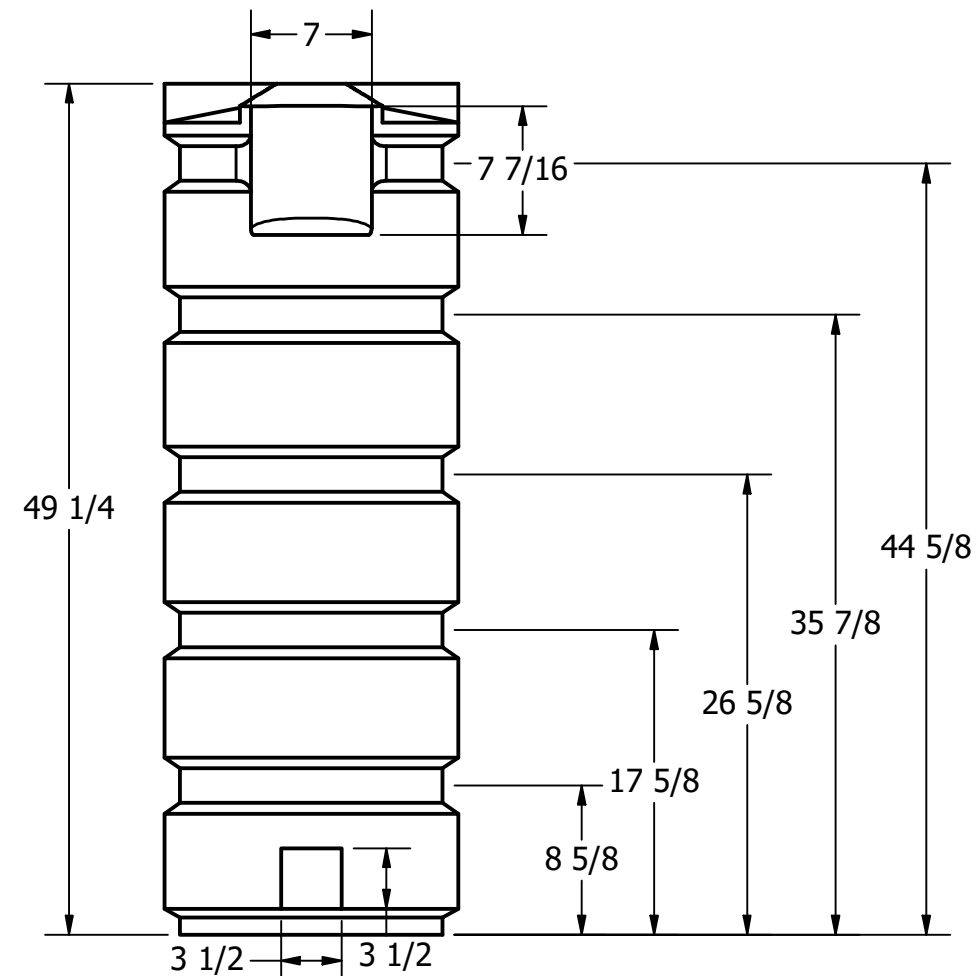



DETAIL A
SCALE 1/4



DRAWN Liv Oltean		2/4/2019		 NORWESCO, INC. SAINT BONIFACIUS, MN	
CHECKED					
QA				BUSHMAN - 130 GALLON	
MFG					
APPROVED					
		SIZE B	DWG NO BSLT130		REV
		SCALE: 1/16		SHEET 1 OF 1	